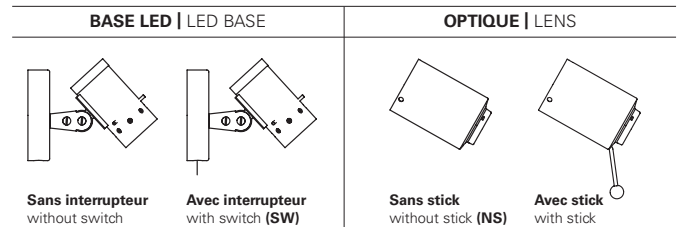
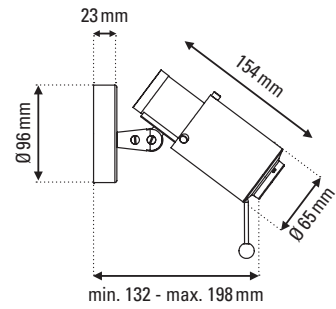




BINY SPOT LED

de Jacques Biny



FICHE TECHNIQUE TECHNICAL SHEET



APPLIQUE

WALL LAMP

Matériaux Material	Acier, aluminium Steel, aluminium
Poids Weight	1,2 kg
Emballage Packaging	220 x 150 x 150 mm
IP IP	20

Tension Voltage	110/240V
Classe Class	1
Watt Watt	4,5W
Source Source	INTEGRATED LED 2700K Non dimmable
Lumens Lumens output	62,399 lm
Driver Driver	Driver fourni (51,5x32,8x17 mm) 500 mA / 3-10,5V / 1,5-5,2W Driver supplied (51,5x32,8x17 mm) 500 mA / 3-10,5V / 1,5-5,2W
Câble Wire	NA
Interrupteur Switch	Sur la base (option) On the base (option)
Fiches Plug	NA

BASE BASE



Black
BL



Polished Nickel
NK

TUBE TUBE



Black
BL



Polished Nickel
NK



Gold Anodized
GL

BINY SPOT LED

de Jacques Biny

FICHE TECHNIQUE TECHNICAL SHEET

DONNÉES PHOTOMÉTRIQUES PHOTOMETRIC DATA

Flux 62,399 lm
Tc 2918 K
CRI 77,3

