

# Audo

COPENHAGEN



FRAME COLLECTION  
Designed by *Lassen*

FRAME 28  
Designed by *Søren Lassen*

Frame 28 is a flexible storage solution consisting of a square module in a cubistic frame. The simple storage system is inspired by the Kubus candleholder by Mogens Lassen, based on strict mathematical formulas and designed with the greatest precision. The Frame modules are available in five sizes: 28, 35, 42, 49 and 70, for use in countless contexts. Combine the Frame modules to create a classic bookcase, a nightstand, a room divider or something else entirely. The possible combinations are endless. The Frame modules are available with or without doors, shelves and Drawers, making sure that you can design the perfect storage solution to match your needs for organisation and storage. This variant is a classic Frame 28 module without doors and shelves.



PRODUCT OPTIONS

*Material*



DARK GREY

LIGHT GREY

FJORD

SAND

WHITE

OAK

BLACK STAINED ASH

SMOKED OAK

*Frame*



BLACK ALUMINIUM

PRODUCT TYPE  
Storage system

COLLI  
1

ENVIRONMENT  
Indoor

DIMENSIONS  
H: 28 cm / 11"  
W: 28 cm / 11"  
D: 28 cm / 11"

PRODUCTION PROCESS  
The frame is made from 6mm aluminum profiles that are mounted with zinc casted corners. Afterwards the frame is grinded to obtain a smooth finish before the frame is powder coated. The plates are made from a MDF core with a melamine or veneer surface.

TECHNICAL SPECIFICATIONS

COLOURS

*Material*  
Dark Grey  
Light Grey  
Fjord  
Sand  
White  
Oak  
Black Stained Ash  
Smoked Oak

*Frame*  
Black (RAL 9005)

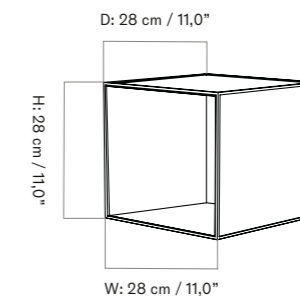
MATERIALS  
Aluminium, MDF with melamine or ash/  
oak veneer

WEIGHT  
Melamine: 4,702 kg / 10,37 lb  
Veneer: 4,702 kg / 10,37 lb

PACKAGING TYPE  
Brown box

PACKAGING MEASUREMENTS  
(H x W x D)  
35 cm x 35 cm x 35 cm /  
13,8" x 13,8" x 13,8"

MATERIALS & MAINTENANCE  
Please visit [audocph.com](http://audocph.com) for materials, care  
and maintenance instructions.



FRAME 28 WITH DOOR  
Designed by *Søren Lassen*

Frame 28 with a door is a flexible storage solution consisting of a square module in a cubistic frame. The simple storage system is inspired by the Kubus candleholder by Mogens Lassen, based on strict mathematical formulas and designed with the greatest precision. The Frame modules including a door are available in five sizes: 28, 35, 42, 49 and 70, for use in countless contexts. Combine the Frame modules to create a classic bookcase, a nightstand, a room divider or something else entirely. The possible combinations are endless. The Frame modules are available with or without doors, shelves and Drawers, making sure that you can design the perfect storage solution to match your needs for organisation and storage. This variant is a classic Frame 28 module with a door.



PRODUCT OPTIONS

*Material*



DARK GREY

LIGHT GREY

FJORD

SAND

WHITE

OAK

BLACK STAINED ASH

SMOKED OAK

*Frame*



BLACK ALUMINIUM

PRODUCT TYPE  
Storage system

COLLI  
1

ENVIRONMENT  
Indoor

DIMENSIONS  
H: 28 cm / 11"  
W: 28 cm / 11"  
D: 28 cm / 11"

PRODUCTION PROCESS

The frame is made from 6mm aluminum profiles that are mounted with zinc casted corners. Afterwards the frame is grinded to obtain a smooth finish before the frame is powder coated. The plates are made from a MDF core with a melamine or veneer surface. The mounting and handle are made from aluminum with powder coated black finish. The mounting has a soft close function.

TECHNICAL SPECIFICATIONS

COLOURS

*Material*

Dark Grey  
Light Grey  
Fjord  
Sand  
White  
Oak  
Black Stained Ash  
Smoked Oak

*Frame*

Black (RAL 9005)

MATERIALS

Aluminium, MDF with melamine or ash/oak veneer

WEIGHT

Melamine: 4,702 kg / 10,37 lb  
Veneer: 4,702 kg / 10,37 lb

PACKAGING TYPE

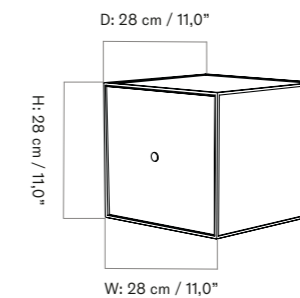
Brown box

PACKAGING MEASUREMENTS

(H x W x D)  
36 cm x 35 cm x 34,5 cm /  
14.17 x 13.77 x 13.58

MATERIALS & MAINTENANCE

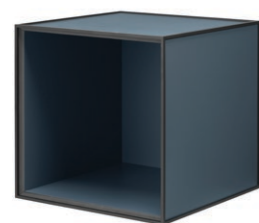
Please visit [audocph.com](http://audocph.com) for materials, care and maintenance instructions.





FRAME 35  
Designed by *Søren Lassen*

The Frame collection is a flexible storage solution that is inspired by the Kubus candleholder by Mogens Lassen, based on strict mathematical formulas and designed with the greatest precision. The various Frame modules come in different colours and sizes, which can be combined into a classic bookcase, a nightstand, a room divider or something else entirely. The possible combinations are endless.



PRODUCT OPTIONS

*Material*



DARK GREY

LIGHT GREY



FJORD

SAND



WHITE

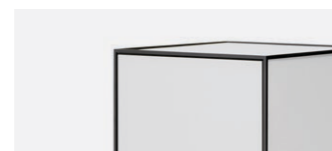
OAK



BLACK STAINED ASH

SMOKED OAK

*Frame*



BLACK ALUMINIUM

PRODUCT TYPE

Storage system

COLLI

1

ENVIRONMENT

Indoor

DIMENSIONS

H: 35 cm / 13,8"

W: 35 cm / 13,8"

D: 35 cm / 13,8"

PRODUCTION PROCESS

The frame is made from 6mm aluminum profiles that are mounted with zinc casted corners. Afterwards the frame is grinded to obtain a smooth finish before the frame is powder coated. The plates are made from a MDF core with a melamine or veneer surface.

TECHNICAL SPECIFICATIONS

COLOURS

*Material*

Dark Grey

Light Grey

Fjord

Sand

White

Oak

Black Stained Ash

Smoked Oak

*Frame*

Black (RAL 9005)

MATERIALS

Aluminium, MDF with melamine or ash/oak veneer

WEIGHT

9,462 kg / 20,86 lb

PACKAGING TYPE

Brown box

PACKAGING MEASUREMENTS

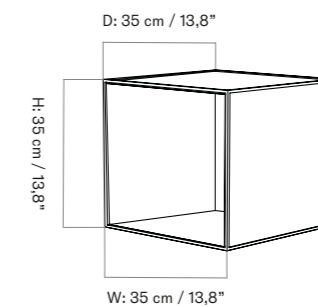
(H x W x D)

42,5 cm x 42 cm x 41,5 cm /

16,7" x 16,5" x 16,3"

MATERIALS & MAINTENANCE

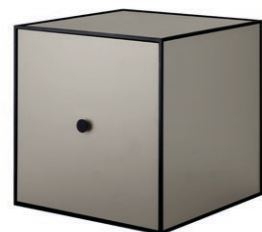
Please visit [audocph.com](http://audocph.com) for materials, care and maintenance instructions.





FRAME 35 WITH DOOR  
Designed by *Søren Lassen*

The Frame collection is a flexible storage solution that is inspired by the Kubus candleholder by Mogens Lassen, based on strict mathematical formulas and designed with the greatest precision. The various Frame modules come in different colours and sizes, which can be combined into a classic bookcase, a nightstand, a room divider or something else entirely. The possible combinations are endless.



PRODUCT OPTIONS

*Material*



DARK GREY

LIGHT GREY



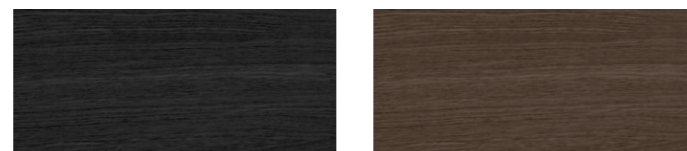
FJORD

SAND



WHITE

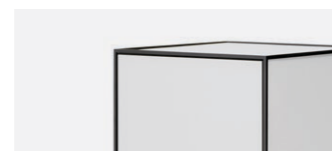
OAK



BLACK STAINED ASH

SMOKED OAK

*Frame*



BLACK ALUMINIUM

PRODUCT TYPE

Storage system

COLLI

1

ENVIRONMENT

Indoor

DIMENSIONS

H: 35 cm / 13,8"

W: 35 cm / 13,8"

D: 35 cm / 13,8"

PRODUCTION PROCESS

The frame is made from 6mm aluminum profiles that are mounted with zinc casted corners. Afterwards the frame is grinded to obtain a smooth finish before the frame is powder coated. The plates are made from a MDF core with a melamine or veneer surface. The mounting and handle are made from aluminum with powder coated black finish. The mounting has a soft close function.

TECHNICAL SPECIFICATIONS

COLOURS

*Material*

Dark Grey

Light Grey

Fjord

Sand

White

Oak

Black Stained Ash

Smoked Oak

*Frame*

Black (RAL 9005)

MATERIALS

Aluminium, MDF with melamine or ash/oak veneer

WEIGHT

9,462 kg / 20,86 lb

PACKAGING TYPE

Brown box

PACKAGING MEASUREMENTS

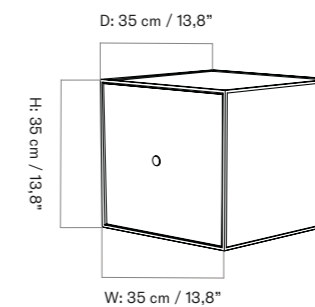
(H x W x D)

42,5 cm x 42 cm x 41,5 cm /

16,7" x 16,5" x 16,3"

MATERIALS & MAINTENANCE

Please visit [audocph.com](http://audocph.com) for materials, care and maintenance instructions.





FRAME 35 WITH ONE DRAWER  
Designed by *Søren Lassen*

Frame 35 with one drawer is a flexible storage solution consisting of a square module in a cubistic frame. The simple storage system is inspired by the Kubus candleholder by Mogens Lassen, based on strict mathematical formulas and designed with the greatest precision. Frame with one drawer is available in two sizes: 35 and 49, for use in countless contexts. Combine the Frame modules to create a classic bookcase, a nightstand, a room divider or something else entirely. The possible combinations are endless. The Frame modules are available with or without doors, shelves and Drawers, making sure that you can design the perfect storage solution to match your needs for organisation and storage. This variant is a Frame 35 module with one drawer, featuring a soft-close system and hidden tracks.



PRODUCT OPTIONS

*Material*



DARK GREY

LIGHT GREY

FJORD

SAND

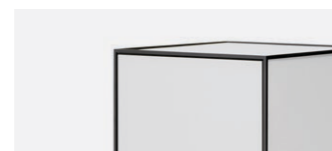
WHITE

OAK

BLACK STAINED ASH

SMOKED OAK

*Frame*



BLACK ALUMINIUM

PRODUCT TYPE  
Storage system

COLLI  
1

ENVIRONMENT  
Indoor

DIMENSIONS  
H: 35 cm / 13,8"  
W: 35 cm / 13,8"  
D: 35 cm / 13,8"

PRODUCTION PROCESS  
The frame is made from 6mm aluminum profiles that are mounted with zinc casted corners. Afterwards the frame is grinded to obtain a smooth finish before the frame is powder coated. The plates are made from a MDF core with a melamine or veneer surface.

TECHNICAL SPECIFICATIONS

COLOURS

*Material*  
Dark Grey  
Light Grey  
Fjord  
Sand  
White  
Oak  
Black Stained Ash  
Smoked Oak

*Frame*  
Black (RAL 9005)

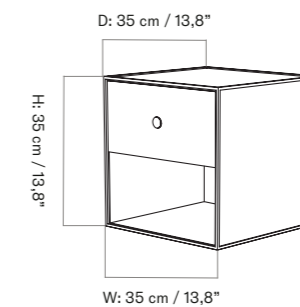
MATERIALS  
Aluminium, MDF with melamine or ash/  
oak veneer

WEIGHT  
9,462 kg / 20,86 lb

PACKAGING TYPE  
Brown box

PACKAGING MEASUREMENTS  
(H x W x D)  
42,5 cm x 42 cm x 41,5 cm /  
16,7" x 16,5" x 16,3"

MATERIALS & MAINTENANCE  
Please visit [audocph.com](http://audocph.com) for materials, care  
and maintenance instructions.





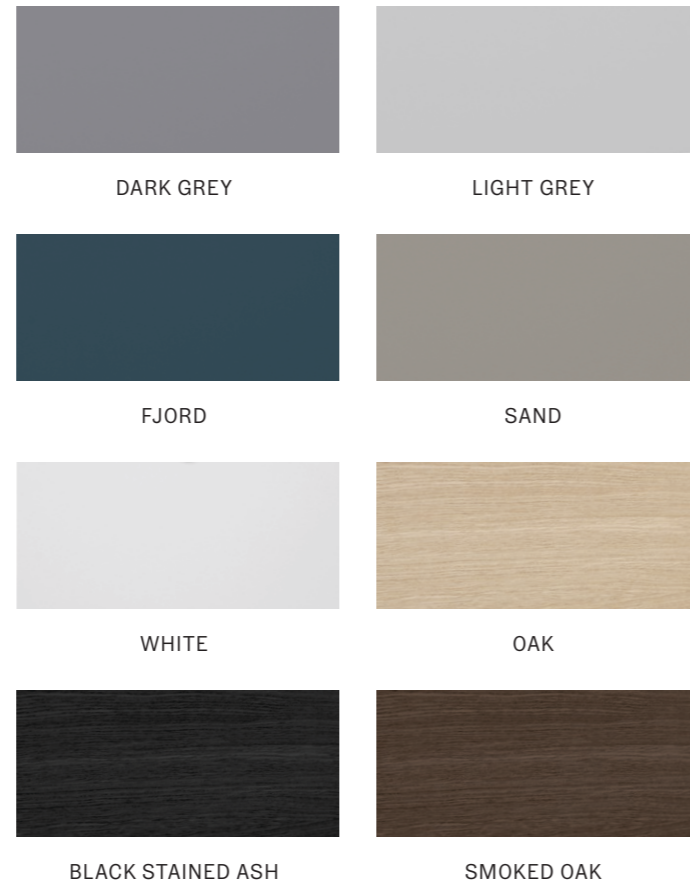
FRAME 35 WITH TWO DRAWERS  
Designed by *Søren Lassen*

Frame 35 with two Drawers is a flexible storage solution consisting of a square module in a cubistic frame. The simple storage system is inspired by the Kubus candleholder by Mogens Lassen, based on strict mathematical formulas and designed with the greatest precision. Frame is available in many variants for use in countless contexts. The Frame modules can be hung directly on the wall or stand on their own on the floor. Combine the Frame modules to create a classic bookcase, a nightstand, a room divider or something else entirely. The possible combinations are endless. The Frame modules are available with or without doors, shelves and Drawers, making sure that you can design the perfect storage solution to match your needs for organisation and storage. This variant is a Frame 35 module with two Drawers, featuring a soft-close system and hidden tracks.



PRODUCT OPTIONS

*Material*



DARK GREY

LIGHT GREY

FJORD

SAND

WHITE

OAK

BLACK STAINED ASH

SMOKED OAK

*Frame*



BLACK ALUMINIUM

PRODUCT TYPE  
Storage system

COLLI  
1

ENVIRONMENT  
Indoor

DIMENSIONS  
H: 35 cm / 13,8"  
W: 35 cm / 13,8"  
D: 35 cm / 13,8"

PRODUCTION PROCESS

The frame is made from 6mm aluminum profiles that are mounted with zinc casted corners. Afterwards the frame is grinded to obtain a smooth finish before the frame is powder coated. The plates are made from a MDF core with a melamine or veneer surface. The drawer is made from plywood and covered with black foil. The bottom is made from black painted MDF. The tracks are made from steel and has a soft-close system. The handles are made from aluminum with powder coated black finish.

TECHNICAL SPECIFICATIONS

COLOURS

*Material*  
Dark Grey  
Light Grey  
Fjord  
Sand  
White  
Oak  
Black Stained Ash  
Smoked Oak

*Frame*  
Black (RAL 9005)

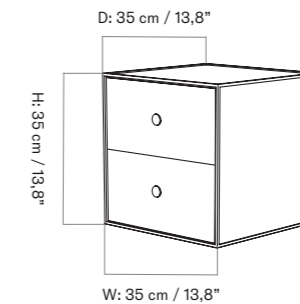
MATERIALS  
Aluminium, MDF with melamine or ash/  
oak veneer

WEIGHT  
9,462 kg / 20,86 lb

PACKAGING TYPE  
Brown box

PACKAGING MEASUREMENTS  
(H x W x D)  
42,5 cm x 42 cm x 41,5 cm /  
16,7" x 16,5" x 16,3"

MATERIALS & MAINTENANCE  
Please visit [audocph.com](http://audocph.com) for materials, care  
and maintenance instructions.





FRAME 35 SIDEBORD WITH ONE DRAWER  
Designed by *Søren Lassen*

Frame Sideboard is a flexible storage solution consisting of a square module in a cubistic frame with a cubistic black metal base. The simple storage system is inspired by the Kubus candleholder by Mogens Lassen, based on strict mathematical formulas and designed with the greatest precision. Whether standing alone or as a combination of modules, Frame Sideboard is a beautiful and functional storage solution. Place Frame Sideboard next to the sofa or bed, or use it as a classic spacious bookcase. The Frame module can also be separated from the cubistic Base for Frame and instead hung on the wall if your home needs a new touch, or to cater for changing storage needs. Frame Sideboard is available in different sizes and with one, two or three Drawers, featuring a soft-close system and hidden tracks.



PRODUCT OPTIONS

*Material*



DARK GREY

LIGHT GREY



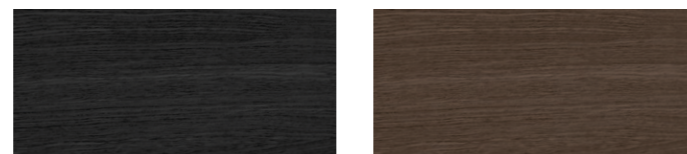
FJORD

SAND



WHITE

OAK



BLACK STAINED ASH

SMOKED OAK

*Frame*



BLACK ALUMINIUM

PRODUCT TYPE  
Storage system

COLLI  
1

ENVIRONMENT  
Indoor

DIMENSIONS  
H: 63 cm / 24,8"  
W: 35 cm / 13,8"  
D: 35 cm / 13,8"

PRODUCTION PROCESS

The frame is made from 6mm aluminum profiles that are mounted with zinc casted corners. Afterwards the frame is grinded to obtain a smooth finish before the frame is powder coated. The plates are made from a MDF core with a melamine or veneer surface. The base is a welded, shot blasted steel frame with silver brazed corners to make the edges sharp and nice. Lastly the frame is painted with a black powder coated finish. The drawer is made from plywood and covered with black foil. The bottom is made from black painted MDF. The tracks are made from steel and has a soft-close system. The handle is made from aluminum with powder coated black finish.

TECHNICAL SPECIFICATIONS

COLOURS

*Material*

Dark Grey  
Light Grey  
Fjord  
Sand  
White  
Oak  
Black Stained Ash  
Smoked Oak

*Frame*

Black (RAL 9005)

MATERIALS

Aluminium, MDF with melamine or ash/oak veneer

WEIGHT

13,818 kg / 30,46 lb

PACKAGING TYPE

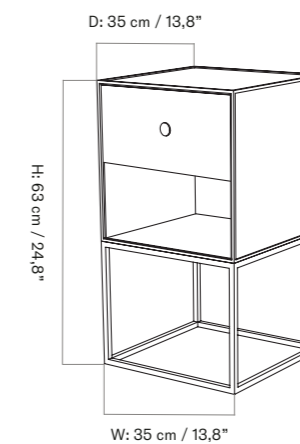
Brow box

PACKAGING MEASUREMENTS

(H x W x D)  
57 cm x 60 cm x 80 cm /  
22,4" x 23,6" x 31,5"

MATERIALS & MAINTENANCE

Please visit [audocph.com](http://audocph.com) for materials, care and maintenance instructions.







FRAME 35 SIDEBORD WITH TWO DRAWERS  
Designed by *Søren Lassen*

Frame Sideboard is a flexible storage solution consisting of a square module in a cubistic frame with a cubistic black metal base. The simple storage system is inspired by the Kubus candleholder by Mogens Lassen, based on strict mathematical formulas and designed with the greatest precision. Whether standing alone or as a combination of modules, Frame Sideboard is a beautiful and functional storage solution. Place Frame Sideboard next to the sofa or bed, or use it as a classic spacious bookcase. The Frame module can also be separated from the cubistic Base for Frame and instead hung on the wall if your home needs a new touch, or to cater for changing storage needs. Frame Sideboard is available in different sizes and with one, two or three Drawers, featuring a soft-close system and hidden tracks.



PRODUCT OPTIONS

*Material*



DARK GREY

LIGHT GREY



FJORD

SAND



WHITE

OAK



BLACK STAINED ASH

SMOKED OAK

*Frame*



BLACK ALUMINIUM

PRODUCT TYPE  
Storage system

COLLI  
1

ENVIRONMENT  
Indoor

DIMENSIONS  
H: 63 cm / 24,8"  
W: 35 cm / 13,8"  
D: 35 cm / 13,8"

PRODUCTION PROCESS

The frame is made from 6mm aluminum profiles that are mounted with zinc casted corners. Afterwards the frame is grinded to obtain a smooth finish before the frame is powder coated. The plates are made from a MDF core with a melamine or veneer surface. The base is a welded, shot blasted steel frame with silver brazed corners to make the edges sharp and nice. Lastly the frame is painted with a black powder coated finish. The drawers are made from plywood and covered with black foil. The bottom is made from black painted MDF. The tracks are made from steel and has a soft-close system. The handles are made from aluminum with powder coated black finish.

TECHNICAL SPECIFICATIONS

COLOURS

*Material*

Dark Grey  
Light Grey  
Fjord  
Sand  
White  
Oak  
Black Stained Ash  
Smoked Oak

*Frame*

Black (RAL 9005)

MATERIALS

Aluminium, MDF with melamine or ash/oak veneer

WEIGHT

15,80 kg / 34 lb

PACKAGING TYPE

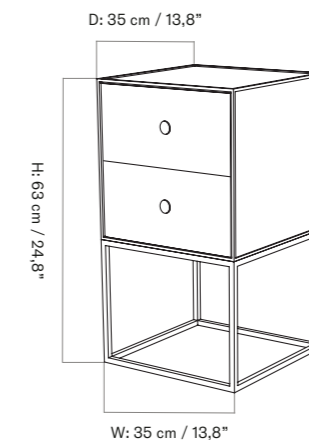
Brown box

PACKAGING MEASUREMENTS

(H x W x D)  
57 cm x 60 cm x 80 cm / 22,4" x 23,6" x 80"

MATERIALS & MAINTENANCE

Please visit [audocph.com](http://audocph.com) for materials, care and maintenance instructions.





FRAME 42  
Designed by *Søren Lassen*

Frame 42 is a flexible storage solution consisting of a square module in a cubistic frame. The simple storage system is inspired by the Kubus candleholder by Mogens Lassen, based on strict mathematical formulas and designed with the greatest precision. The Frame modules are available in five sizes: 28, 35, 42, 49 and 70, for use in countless contexts. Combine the Frame modules to create a classic bookcase, a nightstand, a room divider or something else entirely. The possible combinations are endless. The Frame modules are available with or without doors, shelves and Drawers, making sure that you can design the perfect storage solution to match your needs for organisation and storage. This variant is a classic Frame 42 module without doors and shelves.



PRODUCT OPTIONS

*Material*



DARK GREY

LIGHT GREY



FJORD

SAND



WHITE

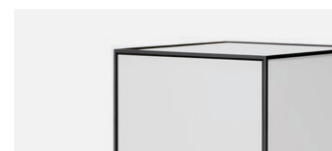
OAK



BLACK STAINED ASH

SMOKED OAK

*Frame*



BLACK ALUMINIUM

PRODUCT TYPE

Storage system

COLLI

1

ENVIRONMENT

Indoor

DIMENSIONS

H: 42 cm / 16,5"

W: 42 cm / 16,5"

D: 21 cm / 8,3"

PRODUCTION PROCESS

The frame is made from 6mm aluminum profiles that are mounted with zinc casted corners. Afterwards the frame is grinded to obtain a smooth finish before the frame is powder coated. The plates are made from a MDF core with a melamine or veneer surface.

TECHNICAL SPECIFICATIONS

COLOURS

*Material*

Dark Grey

Light Grey

Fjord

Sand

White

Oak

Black Stained Ash

Smoked Oak

*Frame*

Black (RAL 9005)

MATERIALS

Aluminium, MDF with melamine or ash/oak veneer

WEIGHT

Melamine: 4,702 kg / 10,37 lb

Veneer: 4,702 kg / 10,37 lb

PACKAGING TYPE

Brown box

PACKAGING MEASUREMENTS

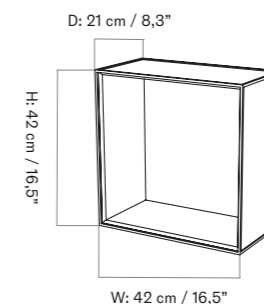
(H × W × D)

35 cm × 35 cm × 35 cm /

13,8" × 13,8" × 13,8"

MATERIALS & MAINTENANCE

Please visit [audocph.com](http://audocph.com) for materials, care and maintenance instructions.



FRAME 42 WITH DOOR  
Designed by *Søren Lassen*

Frame 42 with a door is a flexible storage solution consisting of a square module in a cubistic frame. The simple storage system is inspired by the Kubus candleholder by Mogens Lassen, based on strict mathematical formulas and designed with the greatest precision. The Frame modules including a door are available in five sizes: 28, 35, 42 and 49, for use in countless contexts. The modules can be hung directly on the wall or stand on their own on the floor. Combine the Frame modules to create a classic bookcase, a nightstand, a room divider or something else entirely. The possible combinations are endless. The Frame modules are available with or without doors, shelves and Drawers, making sure that you can design the perfect storage solution to match your needs for organisation and storage. This variant is a classic Frame 42 module with a door.



PRODUCT OPTIONS

*Material*



DARK GREY

LIGHT GREY

FJORD

SAND

WHITE

OAK

BLACK STAINED ASH

SMOKED OAK

*Frame*



BLACK ALUMINIUM

PRODUCT TYPE  
Storage system

COLLI  
1

ENVIRONMENT  
Indoor

DIMENSIONS  
H: 42 cm / 16,5"  
W: 42 cm / 16,5"  
D: 21 cm / 8,3"

PRODUCTION PROCESS  
The frame is made from 6mm aluminum profiles that are mounted with zinc casted corners. Afterwards the frame is grinded to obtain a smooth finish before the frame is powder coated. The plates are made from a MDF core with a melamine or veneer surface. The mounting and handle are made from aluminum with powder coated black finish. The mounting has a soft close function.

TECHNICAL SPECIFICATIONS

COLOURS

*Material*  
Dark Grey  
Light Grey  
Fjord  
Sand  
White  
Oak  
Black Stained Ash  
Smoked Oak

*Frame*  
Black (RAL 9005)

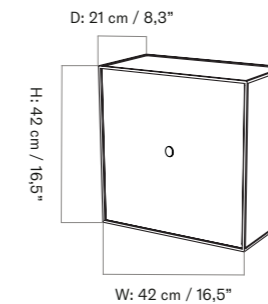
MATERIALS  
Aluminium, MDF with melamine or ash/  
oak veneer

WEIGHT  
10,362 kg / 22,84 lb

PACKAGING TYPE  
Brown box

PACKAGING MEASUREMENTS  
(H x W x D)  
29 cm x 49 cm x 49 cm /  
11,4" x 19,3" x 19,3"

MATERIALS & MAINTENANCE  
Please visit [audocph.com](http://audocph.com) for materials, care  
and maintenance instructions.





FRAME 49  
Designed by *Søren Lassen*

Frame 49 with one shelf is a flexible storage solution consisting of a square module in a cubistic frame. The simple storage system is inspired by the Kubus candleholder by Mogens Lassen, based on strict mathematical formulas and designed with the greatest precision. The Frame modules are available in five sizes: 28, 35, 42, 49 and 70, for use in countless contexts. The modules can be hung directly on the wall or stand on their own on the floor. Combine the Frame modules to create a classic bookcase, a nightstand, a room divider or something else entirely. The possible combinations are endless. The Frame modules are available with or without doors, shelves and Drawers, making sure that you can design the perfect storage solution to match your needs for organisation and storage. This variant is a classic Frame 49 module without doors and with one shelf.



PRODUCT OPTIONS

*Material*



DARK GREY

LIGHT GREY



FJORD

SAND



WHITE

OAK



BLACK STAINED ASH

SMOKED OAK

*Frame*



BLACK ALUMINIUM

PRODUCT TYPE  
Storage system

COLLI  
1

ENVIRONMENT  
Indoor

DIMENSIONS  
H: 49 cm / 19,3"  
W: 49 cm / 19,3"  
D: 42 cm / 16,5"

PRODUCTION PROCESS  
The frame is made from 6mm steel profiles to strengthen the construction of the frame. The profiles are mounted with zinc casted corners and afterward the frame is grinded to obtain a smooth finish before the frame is powder coated. The plates are made from a MDF core with a melamine or veneer surface.

TECHNICAL SPECIFICATIONS

COLOURS

*Material*  
Dark Grey  
Light Grey  
Fjord  
Sand  
White  
Oak  
Black Stained Ash  
Smoked Oak

*Frame*  
Black (RAL 9005)

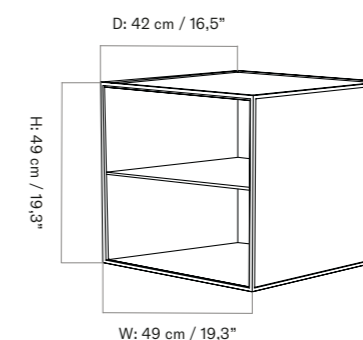
MATERIALS  
Aluminium, MDF with melamine or ash/  
oak veneer

WEIGHT  
9,362 kg / 20,64 lb

PACKAGING TYPE  
Brown box

PACKAGING MEASUREMENTS  
(H x W x D)  
61 cm x 61 cm x 58 cm / 24" x 24" x 23"

MATERIALS & MAINTENANCE  
Please visit [audocph.com](http://audocph.com) for materials, care and maintenance instructions.





FRAME 49 WITH DOOR INCL. SHELF  
Designed by *Søren Lassen*

Frame 49 with a door and one shelf is a flexible storage solution consisting of a square module in a cubistic frame. The simple storage system is inspired by the Kubus candleholder by Mogens Lassen, based on strict mathematical formulas and designed with the greatest precision. The Frame modules including a door are available in five sizes: 28, 35, 42, 49 and 70, for use in countless contexts. The modules can be hung directly on the wall or stand on their own on the floor. Combine the Frame modules to create a classic bookcase, a nightstand, a room divider or something else entirely. The possible combinations are endless. The Frame modules are available with or without doors, shelves and Drawers, making sure that you can design the perfect storage solution to match your needs for organisation and storage. This variant is a classic Frame 49 module with a door and one shelf.



PRODUCT OPTIONS

*Material*



DARK GREY

LIGHT GREY



FJORD

SAND



WHITE

OAK



BLACK STAINED ASH

SMOKED OAK

*Frame*



BLACK ALUMINIUM

PRODUCT TYPE

Storage system

COLLI

1

ENVIRONMENT

Indoor

DIMENSIONS

H: 49 cm / 19,3"

W: 49 cm / 19,3"

D: 42 cm / 16,5"

PRODUCTION PROCESS

The frame is made from 6mm steel profiles to strengthen the construction of the frame. The profiles are mounted with zinc casted corners and afterward the frame is grinded to obtain a smooth finish before the frame is powder coated. The plates are made from a MDF core with a melamine or veneer surface. The mounting and handle are made from aluminum with powder coated black finish. The mounting has a soft close function.

TECHNICAL SPECIFICATIONS

COLOURS

*Material*

Dark Grey

Light Grey

Fjord

Sand

White

Oak

Black Stained Ash

Smoked Oak

*Frame*

Black (RAL 9005)

MATERIALS

Aluminium, MDF with melamine or ash/oak veneer

WEIGHT

17,756 kg / 39,15 lb

PACKAGING TYPE

Brown box

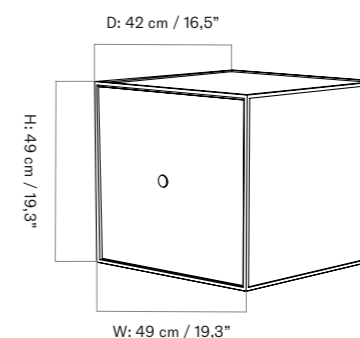
PACKAGING MEASUREMENTS

(H × W × D)

47 cm × 56 cm × 57 cm / 18,5" × 22" × 22,4"

MATERIALS & MAINTENANCE

Please visit [audocph.com](http://audocph.com) for materials, care and maintenance instructions.





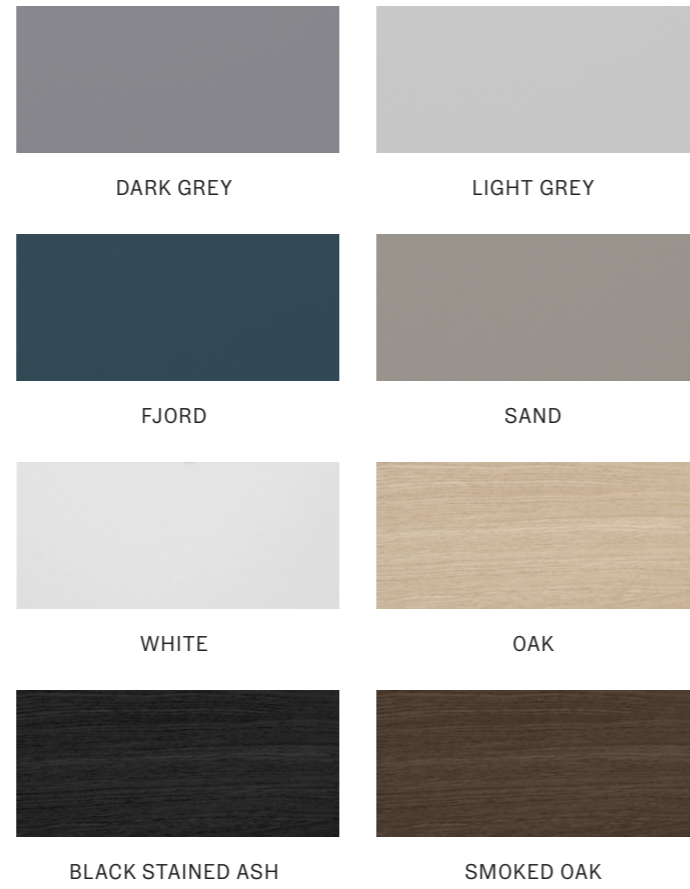
FRAME 49 WITH ONE DRAWER  
Designed by *Søren Lassen*

Frame 49 with one drawer is a flexible storage solution consisting of a square module in a cubistic frame. The simple storage system is inspired by the Kubus candleholder by Mogens Lassen, based on strict mathematical formulas and designed with the greatest precision. Frame with one drawer is available in two sizes: 35 and 49, for use in countless contexts. The Frame modules can be hung directly on the wall or stand on their own on the floor. Combine the Frame modules to create a classic bookcase, a nightstand, a room divider or something else entirely. The possible combinations are endless. The Frame modules are available with or without doors, shelves and Drawers, making sure that you can design the perfect storage solution to match your needs for organisation and storage. This variant is a Frame 49 module with one drawer, featuring a soft-close system and hidden tracks.



PRODUCT OPTIONS

*Material*



*Frame*



PRODUCT TYPE  
Storage system

COLLI  
1

ENVIRONMENT  
Indoor

DIMENSIONS  
H: 49 cm / 19,3"  
W: 49 cm / 19,3"  
D: 42 cm / 16,5"

PRODUCTION PROCESS

The frame is made from 6mm steel profiles to strengthen the construction of the frame. The profiles are mounted with zinc casted corners and afterward the frame is grinded to obtain a smooth finish before the frame is powder coated. The plates are made from a MDF core with a melamine or veneer surface. The drawer is made from plywood and covered with black foil. The bottom is made from black painted MDF. The tracks are made from steel and has a soft-close system. The handle is made from aluminum with powder coated black finish.

TECHNICAL SPECIFICATIONS

COLOURS

*Material*

Dark Grey  
Light Grey  
Fjord  
Sand  
White  
Oak  
Black Stained Ash  
Smoked Oak

*Frame*

Black (RAL 9005)

MATERIALS

Aluminium, MDF with melamine or ash/  
oak veneer

WEIGHT

17,756 kg / 39,15 lb

PACKAGING TYPE

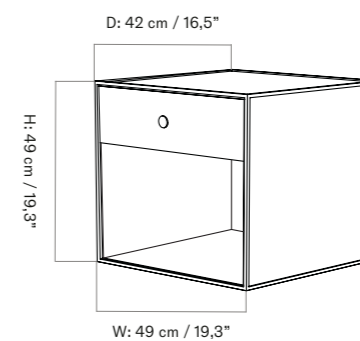
Brown box

PACKAGING MEASUREMENTS

(H × W × D)  
47 cm × 56 cm × 57 cm / 18,5" × 22" × 22,4"

MATERIALS & MAINTENANCE

Please visit [audocph.com](http://audocph.com) for materials, care and maintenance instructions.





FRAME 49 WITH THREE DRAWERS  
Designed by *Søren Lassen*

Frame 49 with three Drawers is a flexible storage solution consisting of a square module in a cubistic frame. The simple storage system is inspired by the Kubus candleholder by Mogens Lassen, based on strict mathematical formulas and designed with the greatest precision. Frame is available in many variants for use in countless contexts. The Frame modules can be hung directly on the wall or stand on their own on the floor. Combine the Frame modules to create a classic bookcase, a nightstand, a room divider or something else entirely. The possible combinations are endless. The Frame modules are available with or without doors, shelves and Drawers, making sure that you can design the perfect storage solution to match your needs for organisation and storage. This variant is a Frame 49 module with three Drawers, featuring a soft-close system and hidden tracks.



PRODUCT OPTIONS

*Material*



DARK GREY

LIGHT GREY

FJORD

SAND

WHITE

OAK

BLACK STAINED ASH

SMOKED OAK

*Frame*



BLACK ALUMINIUM

PRODUCT TYPE

Storage system

COLLI

1

ENVIRONMENT

Indoor

DIMENSIONS

H: 49 cm / 19,3"

W: 49 cm / 19,3"

D: 42 cm / 16,5"

PRODUCTION PROCESS

The frame is made from 6mm steel profiles to strengthen the construction of the frame. The profiles are mounted with zinc casted corners and afterward the frame is grinded to obtain a smooth finish before the frame is powder coated. The plates are made from a MDF core with a melamine or veneer surface. The drawer is made from plywood and covered with black foil. The bottom is made from black painted MDF. The tracks are made from steel and has a soft-close system. The handles are made from aluminum with powder coated black finish.

TECHNICAL SPECIFICATIONS

COLOURS

*Material*

Dark Grey

Light Grey

Fjord

Sand

White

Oak

Black Stained Ash

Smoked Oak

*Frame*

Black (RAL 9005)

MATERIALS

Aluminium, MDF with melamine or ash/oak veneer

WEIGHT

17,756 kg / 39,16 lb

PACKAGING TYPE

Brown box

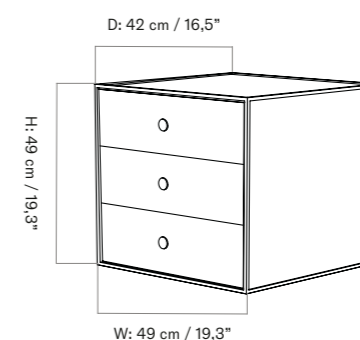
PACKAGING MEASUREMENTS

(H × W × D)

47 cm × 56 cm × 57 cm / 18,5" × 22" × 22,4"

MATERIALS & MAINTENANCE

Please visit [audocph.com](http://audocph.com) for materials, care and maintenance instructions.





FRAME 49 SIDEBORD WITH ONE DRAWER  
Designed by *Søren Lassen*

Frame Sideboard is a flexible storage solution consisting of a square module in a cubistic frame with a cubistic black metal base. The simple storage system is inspired by the Kubus candleholder by Mogens Lassen, based on strict mathematical formulas and designed with the greatest precision. Whether standing alone or as a combination of modules, Frame Sideboard is a beautiful and functional storage solution. Place Frame Sideboard next to the sofa or bed, or use it as a classic spacious bookcase. The Frame module can also be separated from the cubistic Base for Frame and instead hung on the wall if your home needs a new touch, or to cater for changing storage needs. Frame Sideboard is available in different sizes and with one, two or three Drawers, featuring a soft-close system and hidden tracks.



PRODUCT OPTIONS

*Material*



DARK GREY

LIGHT GREY



FJORD

SAND



WHITE

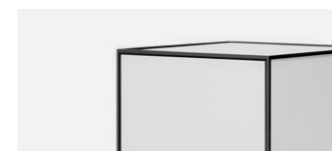
OAK



BLACK STAINED ASH

SMOKED OAK

*Frame*



BLACK ALUMINIUM

PRODUCT TYPE  
Storage system

COLLI  
1

ENVIRONMENT  
Indoor

DIMENSIONS  
H: 72 cm / 28,3"  
W: 49 cm / 19,3"  
D: 42 cm / 16,5"

PRODUCTION PROCESS

The frame is made from 6mm steel profiles to strengthen the construction of the frame. The profiles are mounted with zinc casted corners and afterward the frame is grinded to obtain a smooth finish before the frame is powder coated. The plates are made from a MDF core with a melamine or veneer surface. The base is a welded, shotblasted steel frame with silver brazed corners to make the edges sharp and nice. Lastly the frame is painted with a black powder coated finish. The drawer is made from plywood and covered with black foil. The bottom is made from black painted MDF. The tracks are made from steel and has a soft-close system. The handle is made from aluminum with powder coated black finish.

TECHNICAL SPECIFICATIONS

COLOURS

*Material*

Dark Grey

Light Grey

Fjord

Sand

White

Oak

Black Stained Ash

Smoked Oak

*Frame*

Black (RAL 9005)

MATERIALS

Aluminium, MDF with melamine or ash/oak veneer

WEIGHT

16,354 kg / 36,05 lb

PACKAGING TYPE

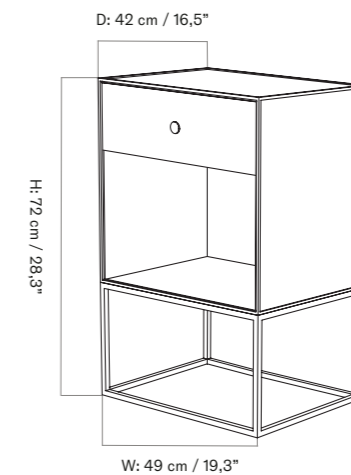
Brown box

PACKAGING MEASUREMENTS

(H × W × D)  
115 cm × 60 cm × 80 cm /  
45,3" × 23,6" × 31,5"

MATERIALS & MAINTENANCE

Please visit [audocph.com](http://audocph.com) for materials, care and maintenance instructions.







FRAME 49 SIDEBORD WITH THREE DRAWERS  
Designed by *Søren Lassen*

Frame Sideboard is a flexible storage solution consisting of a square module in a cubistic frame with a cubistic black metal base. The simple storage system is inspired by the Kubus candleholder by Mogens Lassen, based on strict mathematical formulas and designed with the greatest precision. Whether standing alone or as a combination of modules, Frame Sideboard is a beautiful and functional storage solution. Place Frame Sideboard next to the sofa or bed, or use it as a classic spacious bookcase. The Frame module can also be separated from the cubistic Base for Frame and instead hung on the wall if your home needs a new touch, or to cater for changing storage needs. Frame Sideboard is available in different sizes and with one, two or three Drawers, featuring a soft-close system and hidden tracks.



PRODUCT OPTIONS

*Material*



DARK GREY

LIGHT GREY



FJORD

SAND



WHITE

OAK



BLACK STAINED ASH

SMOKED OAK

*Frame*



BLACK ALUMINIUM

PRODUCT TYPE  
Storage system

COLLI  
1

ENVIRONMENT  
Indoor

DIMENSIONS  
H: 72 cm / 28,3"  
W: 49 cm / 19,3"  
D: 42 cm / 16,5"

PRODUCTION PROCESS

The frame is made from 6mm steel profiles to strengthen the construction of the frame. The profiles are mounted with zinc casted corners and afterward the frame is grinded to obtain a smooth finish before the frame is powder coated. The plates are made from a MDF core with a melamine or veneer surface. The base is a welded, shotblasted steel frame with silver brazed corners to make the edges sharp and nice. Lastly the frame is painted with a black powder coated finish. The drawer is made from plywood and covered with black foil. The bottom is made from black painted MDF. The tracks are made from steel and has a soft-close system. The handle is made from aluminum with powder coated black finish.

TECHNICAL SPECIFICATIONS

COLOURS

*Material*

Dark Grey  
Light Grey  
Fjord  
Sand  
White  
Oak  
Black Stained Ash  
Smoked Oak

*Frame*

Black (RAL 9005)

MATERIALS

Aluminium, MDF with melamine or ash/oak veneer

WEIGHT

16,354 kg / 36,05 lb

PACKAGING TYPE

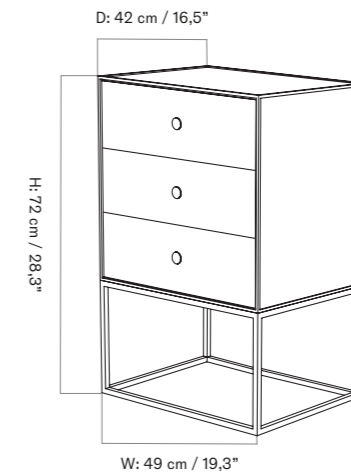
Brown box

PACKAGING MEASUREMENTS

(H × W × D)  
115 cm × 60 cm × 80 cm /  
45,3" × 23,6" × 31,5"

MATERIALS & MAINTENANCE

Please visit [audocph.com](http://audocph.com) for materials, care and maintenance instructions.





FRAME 70 WITH TWO SHELVES EXCLUDING DOOR  
Designed by *Audo*

The versatile and sleek Frame 70 allows you to create entirely new combinations and a new geometric expression for existing or new Frame arrangements. Frame 70 is designed based on the same cubist thinking as the rest of the collection, but it is now taller and slimmer. This makes it possible to use it in narrow places or tight spaces. Frame 70 can also be used to supplement, so the personal Frame arrangement gets a new and updated look. The Frame 70 module can be hung directly on the wall or stand on their own on the floor on the cubistic base "Base for Frame 35", that both fits the Frame 70 and the Frame 35 modules. Combine the Frame modules to a classic bookcase, a nightstand, a room divider, or something else. The Frame modules are available with or without doors, shelves, or Drawers, so you can find the storage solution that matches your need for organisation and storage. This variant contains a Frame 70 with two shelves.



PRODUCT OPTIONS

*Material*



*Frame*



PRODUCT TYPE  
Storage system

COLLI  
1

ENVIRONMENT  
Indoor

DIMENSIONS  
H: 70 cm / 27,6"  
W: 35 cm / 13,8"  
D: 35 cm / 13,8"

PRODUCTION PROCESS  
The frame is made from 6mm steel profiles to strengthen the construction of the frame. The profiles are mounted with zinc casted corners and afterward the frame is grinded to obtain a smooth finish before the frame is powder coated. The plates are made from a MDF core with a melamine or veneer surface.

TECHNICAL SPECIFICATIONS

COLOURS

*Material*  
Dark Grey  
Light Grey  
Fjord  
Sand  
White  
Oak  
Black Stained Ash  
Smoked Oak

*Frame*  
Black (RAL 9005)

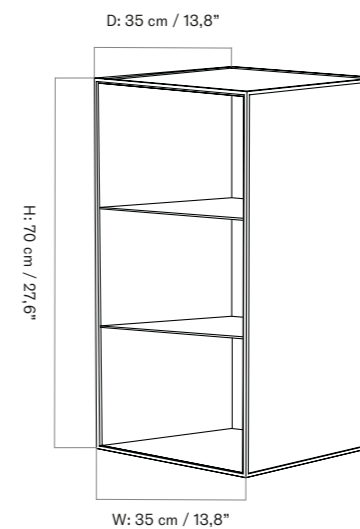
MATERIALS  
Aluminium, MDF with melamine or ash/  
oak veneer

WEIGHT  
9,957 kg / 21,95 lb

PACKAGING TYPE  
Brown box

PACKAGING MEASUREMENTS  
(H x W x D)  
81 cm x 44 cm x 44 cm /  
31,9" x 17,3" x 17,3"

MATERIALS & MAINTENANCE  
Please visit [audocph.com](http://audocph.com) for materials, care  
and maintenance instructions.





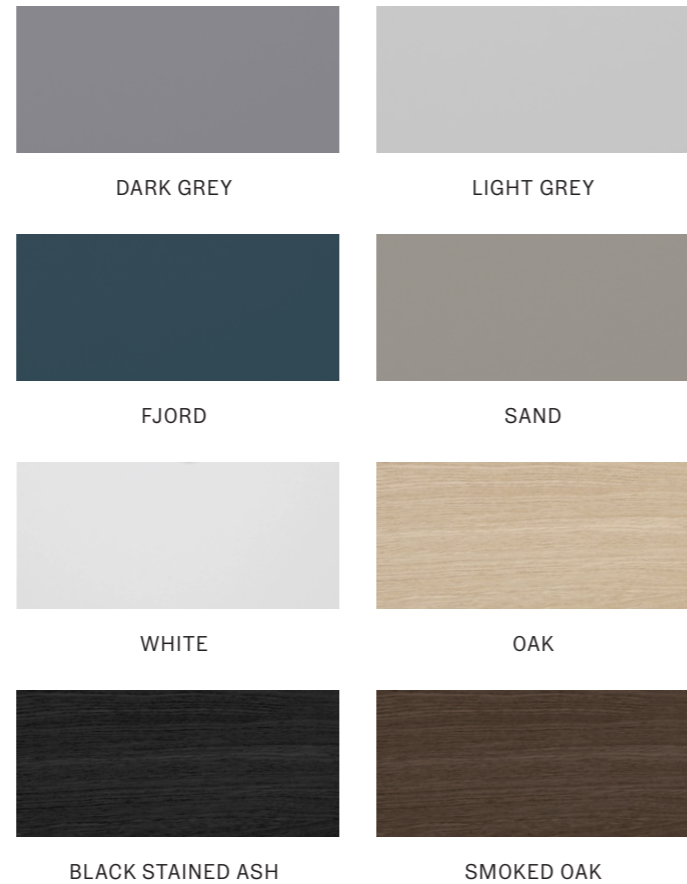
FRAME 70 WITH DOOR AND TWO SHELVES  
Designed by *Audo*

The versatile and sleek Frame 70 allows you to create entirely new combinations and a new geometric expression for existing or new Frame arrangements. Frame 70 is designed based on the same cubist thinking as the rest of the collection, but it is now taller and slimmer. This makes it possible to use it in narrow places or tight spaces. Frame 70 can also be used to supplement, so the personal Frame arrangement gets a new and updated look. The Frame 70 module can be hung directly on the wall or stand on their own on the floor on the cubistic base "Base for Frame 35", that both fits the Frame 70 and the Frame 35 modules. Combine the Frame modules to a classic bookcase, a nightstand, a room divider, or something else. The Frame modules are available with or without doors, shelves, or Drawers, so you can find the storage solution that matches your need for organisation and storage. This variant contains a Frame 70 with a door and two shelves.



PRODUCT OPTIONS

*Material*



*Frame*



BLACK ALUMINIUM

PRODUCT TYPE  
Storage system

COLLI  
1

ENVIRONMENT  
Indoor

DIMENSIONS  
H: 70 cm / 27,6"  
W: 35 cm / 13,8"  
D: 35 cm / 13,8"

PRODUCTION PROCESS

The frame is made from 6mm steel profiles to strengthen the construction of the frame. The profiles are mounted with zinc casted corners and afterward the frame is grinded to obtain a smooth finish before the frame is powder coated. The plates are made from a MDF core with a melamine or veneer surface. The mounting and handle are made from aluminum with powder coated black finish. The mounting has a soft close function.

TECHNICAL SPECIFICATIONS

COLOURS

*Material*  
Dark Grey  
Light Grey  
Fjord  
Sand  
White  
Oak  
Black Stained Ash  
Smoked Oak

*Frame*  
Black (RAL 9005)

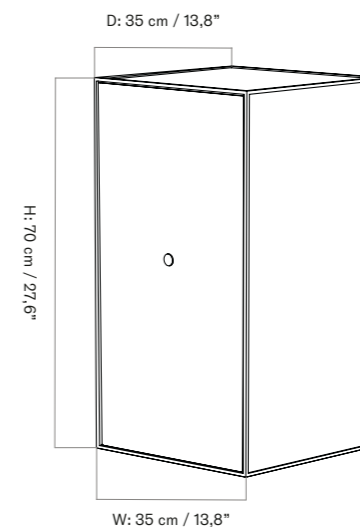
MATERIALS  
Aluminium, oak, veneer, MDF

WEIGHT  
9,957 kg / 21,95 lb

PACKAGING TYPE  
Brown box

PACKAGING MEASUREMENTS  
(H x W x D)  
81 cm x 44 cm x 44 cm /  
31,9" x 17,3" x 17,3"

MATERIALS & MAINTENANCE  
Please visit [audocph.com](http://audocph.com) for materials, care and maintenance instructions.





FRAME 70 WITH ONE SHELF AND TWO DRAWERS  
Designed by *Audo*

The versatile and sleek Frame 70 allows you to create entirely new combinations and a new geometric expression for existing or new Frame arrangements. Frame 70 is designed based on the same cubist thinking as the rest of the collection, but it is now taller and slimmer. This makes it possible to use it in narrow places or tight spaces. Frame 70 can also be used to supplement, so the personal Frame arrangement gets a new and updated look. The Frame 70 module can be hung directly on the wall or stand on their own on the floor on the cubistic base "Base for Frame 35", that both fits the Frame 70 and the Frame 35 modules. Combine the Frame modules to a classic bookcase, a nightstand, a room divider, or something else. The Frame modules are available with or without doors, shelves, or Drawers, so you can find the storage solution that matches your need for organisation and storage. This variant contains a Frame 70 with a shelf and two Drawers.



PRODUCT OPTIONS

*Material*



DARK GREY

LIGHT GREY

FJORD

SAND

WHITE

OAK

BLACK STAINED ASH

SMOKED OAK

*Frame*



BLACK ALUMINIUM

PRODUCT TYPE  
Storage system

COLLI  
1

ENVIRONMENT  
Indoor

DIMENSIONS  
H: 70 cm / 27,6"  
W: 35 cm / 13,8"  
D: 35 cm / 13,8"

PRODUCTION PROCESS

The frame is made from 6mm steel profiles to strengthen the construction of the frame. The profiles are mounted with zinc casted corners and afterward the frame is grinded to obtain a smooth finish before the frame is powder coated. The plates are made from a MDF core with a melamine or veneer surface. The drawer is made from plywood and covered with black foil. The bottom is made from black painted MDF. The tracks are made from steel and has a soft-close system. The handles are made from aluminum with powder coated black finish.

TECHNICAL SPECIFICATIONS

COLOURS

*Material*  
Dark Grey  
Light Grey  
Fjord  
Sand  
White  
Oak  
Black Stained Ash  
Smoked Oak

*Frame*  
Black (RAL 9005)

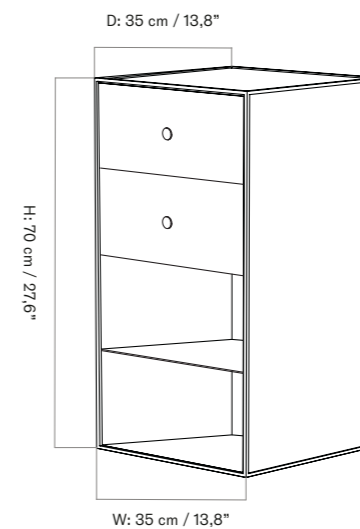
MATERIALS  
Aluminium, oak, veneer, MDF

WEIGHT  
9,957 kg / 21,95 lb

PACKAGING TYPE  
Brown box

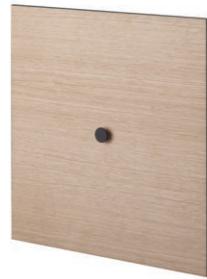
PACKAGING MEASUREMENTS  
(H x W x D)  
81 cm x 44 cm x 44 cm /  
31,9" x 17,3" x 17,3"

MATERIALS & MAINTENANCE  
Please visit [audocph.com](http://audocph.com) for materials, care and maintenance instructions.



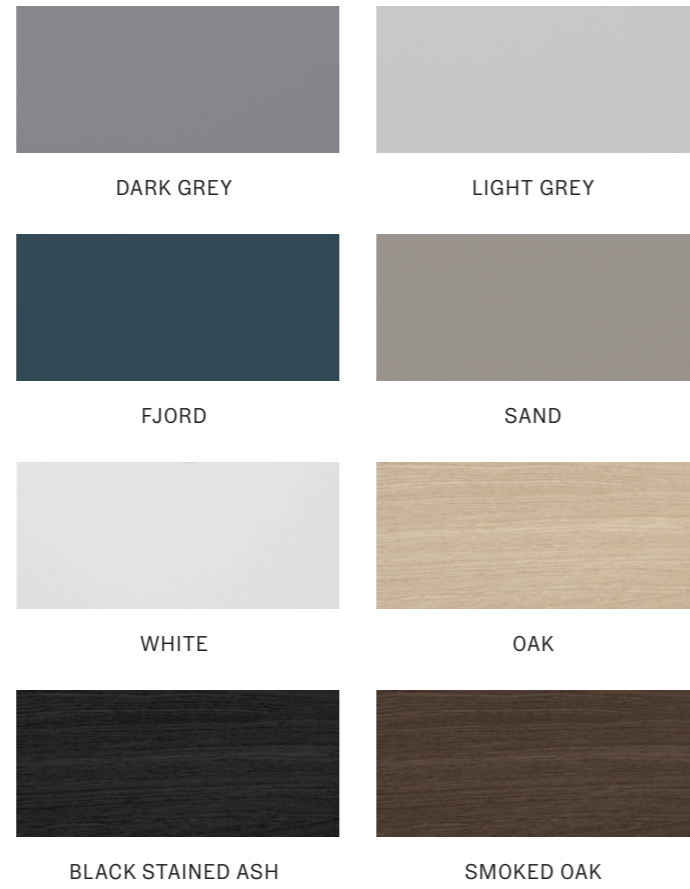
DOOR FOR FRAME  
Designed by *Søren Lassen*

With a Frame door, you can further refine your storage solution. The doors are available in five sizes: 28, 35, 42, 49 and 70 to match the sizes of the Frame storage modules. The Frame collection is a flexible storage solution that is inspired by the Kubus candleholder by Mogens Lassen, based on strict mathematical formulas and designed with the greatest precision. The various Frame modules come in different colours and sizes, which can be combined into a classic bookcase, a nightstand, a room divider or something else entirely. The possible combinations are endless.



PRODUCT OPTIONS

*Material*



PRODUCT TYPE  
Storage system

COLLI  
1

ENVIRONMENT  
Indoor

DIMENSIONS

28  
H: 26 cm / 10,2"  
W: 26 cm / 10,2"  
D: 1 cm / 0,2"

35  
H: 33 cm / 13"  
W: 33 cm / 13"  
D: 1 cm / 0,4"

42  
H: 40 cm / 16,5"  
W: 40 cm / 16,5"  
D: 1 cm / 0,4"

49  
H: 49 cm / 19,3"  
W: 49 cm / 19,3"  
D: 1 cm / 0,4"

70  
H: 68 cm / 26,8"  
W: 33 cm / 13,0"  
D: 1 cm / 0,4"

TECHNICAL SPECIFICATIONS

PRODUCTION PROCESS

The door is made from a MDF core with a melamine or veneer surface. The mounting and handle are made from aluminum with powder coated black finish. The mounting has a soft close function.

COLOURS

Dark Grey  
Light Grey  
Fjord  
Sand  
White  
Oak  
Black Stained Ash  
Smoked Oak

MATERIALS

Aluminium, MDF with melamine or ash/oak veneer

WEIGHT

28: 0,624 kg / 1,38 lb  
35: 0,633 kg / 1,4 lb  
42: 0,484 kg / 1,07 lb  
49: 0,332 kg / 0,73 lb  
70: 1,533 kg / 3,38 lb

PACKAGING TYPE  
Brown box

PACKAGING MEASUREMENTS  
(H × W × D)

28  
6 cm × 31 cm × 35 cm /  
2,36" × 12,2" × 13,78"

35  
6 cm × 38 cm × 39 cm /  
2,4" × 15" × 15,4"

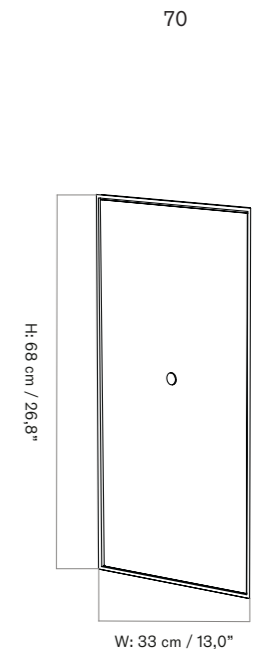
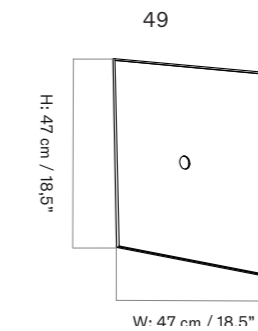
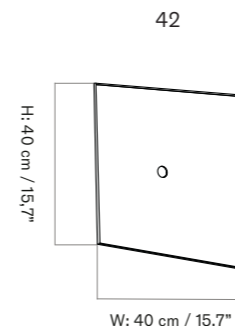
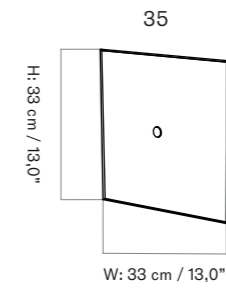
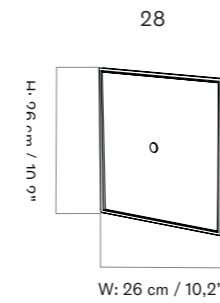
42  
6 cm × 45 cm × 43 cm /  
2,4" × 17,7" × 16,9"

49  
6 cm × 52 cm × 53 cm /  
2,4" × 20,5" × 20,9"

70  
3,5 cm × 35,5 cm × 70 cm /  
1,4" × 14" × 27,5"

MATERIALS & MAINTENANCE

Please visit [audocph.com](http://audocph.com) for materials, care and maintenance instructions.



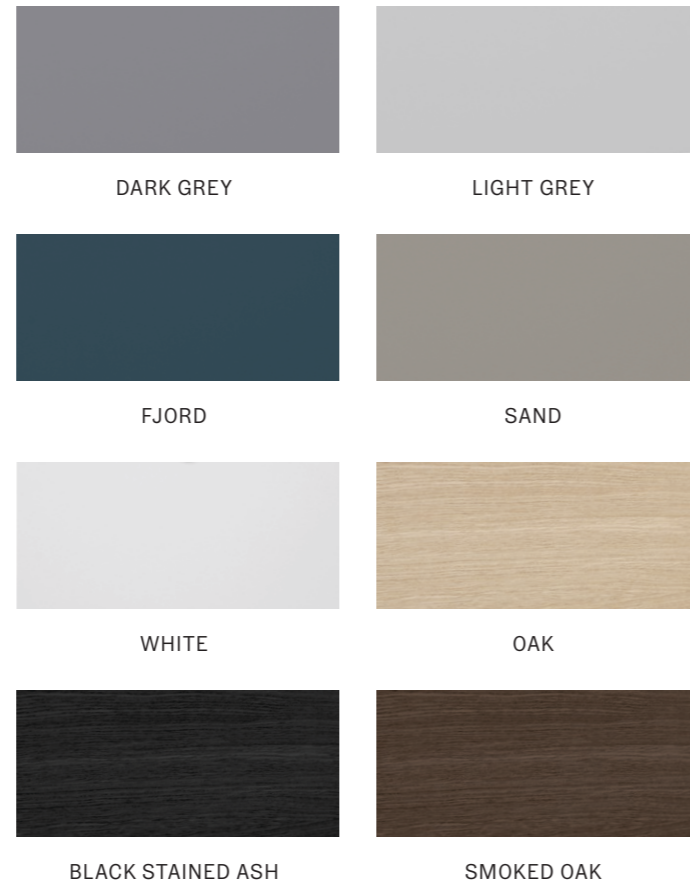
SHELF FOR FRAME  
Designed by *Søren Lassen*

With a Frame shelf, you can further enhance your storage solution, making it easier to keep everything tidy. The shelves are available in three sizes: 35, 42 and 49 to match the Frame storage modules. The Shelf for Frame 35 also fits into Frame 70. The Frame collection is a flexible storage solution that is inspired by the Kubus candleholder by Mogens Lassen, based on strict mathematical formulas and designed with the greatest precision. The various Frame modules come in different colours and sizes, which can be combined into a classic bookcase, a nightstand, a room divider or something else entirely. The possible combinations are endless. The Frame modules can be hung directly on the wall or stand on their own on the floor.



PRODUCT OPTIONS

*Material*



PRODUCT TYPE  
Storage system

COLLI  
1

ENVIRONMENT  
Indoor

DIMENSIONS

*35 / 70*  
H: 1 cm / 0,4"  
W: 31,5 cm / 12,4"  
D: 32,5 cm / 12,8"

*42*  
H: 1 cm / 0,4"  
W: 39 cm / 15,4"  
D: 17,5 cm / 6,9"

*49*  
H: 1 cm / 0,4"  
W: 46,5 cm / 18,3"  
D: 38,5 cm / 15,2"

TECHNICAL SPECIFICATIONS

PRODUCTION PROCESS  
The shelf is made from a MDF core with a melamine or veneer surface.

COLOURS

Dark Grey  
Light Grey  
Fjord  
Sand  
White  
Oak  
Black Stained Ash  
Smoked Oak

MATERIALS

Aluminium, MDF with melamine or ash/  
oak veneer

WEIGHT

35 / 70: 0,753 kg / 1,66 lb  
42: 0,82 kg / 1,81 lb  
49: 0,575 kg / 1,27 lb

PACKAGING TYPE  
Brown box

PACKAGING MEASUREMENTS  
(H × W × D)

*35 / 70*  
4 cm × 33 cm × 33 cm / 1,6" × 13" × 13"

*42*  
4 cm × 41 cm × 19 cm / 1,6" × 16,1" × 7,5"

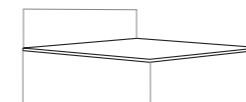
*49*  
4 cm × 47 cm × 40 cm / 1,6" × 18,5" × 15,8"

MATERIALS & MAINTENANCE

Please visit [audocph.com](http://audocph.com) for materials, care and maintenance instructions.

35 / 70

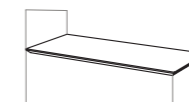
D: 32,5 cm / 12,8"



W: 31,5 cm / 12,4"

42

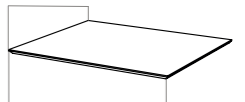
D: 17,5 cm / 6,9"



W: 39 cm / 15,4"

49

D: 42 cm / 16,5"

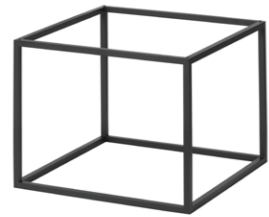


W: 49 cm / 19,3"

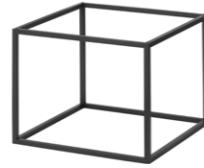


BASE FOR FRAME  
Designed by *Audo*

The Base for Frame is a cubistic frame in black metal that is inspired by the Kubus candleholder by Mogens Lassen, based on strict mathematical formulas and designed with the greatest precision. The simple and cubistic base is available in two sizes: 35 (which also fits Frame 70) and 49 as an addition to the Frame modules from the Frame collection. With the simple base, you can create a dresser, a bookcase, a nightstand or something else entirely. The various Frame modules come in different sizes and colours. Depending on your exact storage needs, it is also possible to buy doors and shelves. The possible combinations are endless.

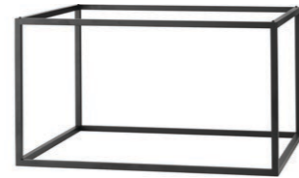


*For Frame 35 and 70*



BLACK  
BL40702

*For Frame 49*



BLACK  
BL40700

TECHNICAL SPECIFICATIONS

PRODUCT TYPE  
Storage system

COLLI  
1

ENVIRONMENT  
Indoor

DIMENSIONS

*For 35 and 70*  
H: 28 cm / 11,0"  
W: 35 cm / 13,8"  
D: 35 cm / 13,8"

*For 49*  
H: 28 cm / 11,0"  
W: 49 cm / 19,3"  
D: 42 cm / 16,5"

PRODUCTION PROCESS  
Welded, shot blasted steel frame with silver brazed corners to make the edges sharp and nice. Lastly the frame is painted with a black powder coated finish.

COLOURS  
Black (RAL 9005)

MATERIALS  
Steel

WEIGHT  
For 35 and 70: 4,056 kg / 8,94 lb  
For 49: 4,598 kg / 10,141 lb

PACKAGING TYPE  
Brown box

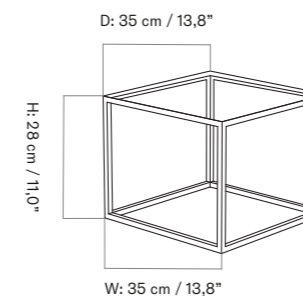
PACKAGING MEASUREMENTS  
(H × W × D)

*For 35 and 70*  
36 cm × 42 cm × 42 cm /  
14,17" × 16,54" × 16,53"

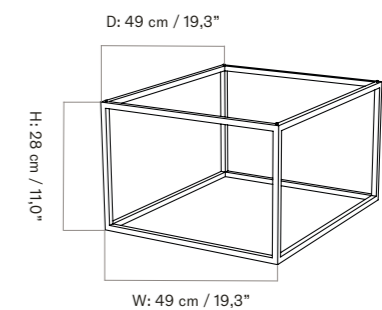
*For 49*  
36,5 cm × 49 cm × 56 cm /  
14,4" × 19,3" × 22"

MATERIALS & MAINTENANCE  
Please visit [audocph.com](http://audocph.com) for materials, care and maintenance instructions.

BASE FOR FRAME 35 AND 70



BASE FOR FRAME 49





DOUBLE BASE FOR FRAME  
Designed by *Audo*

The double base for Frame 35 (which also fits Frame 70) and 49 in black metal comes in two heights 14 cm and 28 cm. The various Frame modules come in different sizes and colours. Depending on your exact storage needs, it is also possible to buy doors and shelves. The possible combinations are endless.



*For Frame 35 and 70*



BLACK, H: 14 CM  
BL40710



BLACK, H: 28 CM  
BL40706

*For Frame 49*



BLACK, H: 14 CM  
BL40708



BLACK, H: 28 CM  
BL40704

PRODUCT TYPE  
Storage system

COLLI  
1

ENVIRONMENT  
Indoor

DIMENSIONS

*For 35 and 70, H14*  
H: 14 cm / 5,5"  
W: 70 cm / 27,6"  
D: 32 cm / 12,6"

*For 35 and 70, H28*  
H: 28 cm / 11"  
W: 70 cm / 27,6"  
D: 32 cm / 12,6"

*For 49, H14*  
H: 14 cm / 5,5"  
W: 90 cm / 38,6"  
D: 42 cm / 16,5"

*For 49, H28*  
H: 28 cm / 11,0"  
W: 98 cm / 38,6"  
D: 42 cm / 16,5"

TECHNICAL SPECIFICATIONS

PRODUCTION PROCESS  
Welded, shot blasted steel frame with silver brazed corners to make the edges sharp and nice. Lastly the frame is painted with a black powder coated finish.

COLOURS  
Black (RAL 9005)

MATERIALS  
Steel

WEIGHT  
For 35 and 70, H14: 8 kg / 17,64 lb  
For 35 and 70, H28: 10 kg / 22,05 lb  
For 49, H14: 10 kg / 22,05 lb  
For 49, H28: 11,92 kg / 26,28 lb

PACKAGING TYPE  
Brown box

PACKAGING MEASUREMENTS  
(H × W × D)

*For 35 and 70, H18*  
41,6 cm × 84 cm × 16,5 cm /  
16,4" × 33,1" × 6,5"

*For 35 and 70, H28*  
41,6 cm × 84 cm × 16,5 cm /  
16,4" × 33,1" × 6,5"

*For 49, H18*  
36,5 cm × 49 cm × 56 cm /  
14,4" × 19,3" × 22"

*For 49, H28*  
41,6 cm × 84 cm × 16,5 cm /  
16,4" × 33,1" × 6,5"

MATERIALS & MAINTENANCE  
Please visit [audocph.com](http://audocph.com) for materials, care and maintenance instructions.

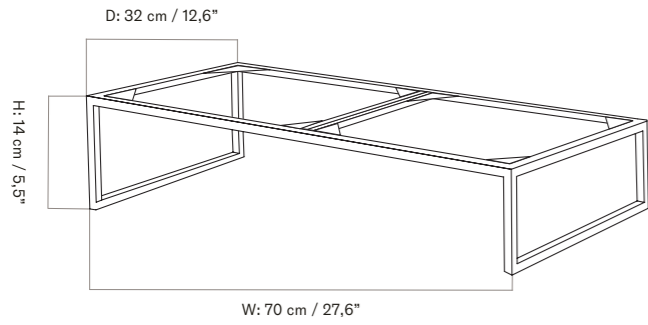




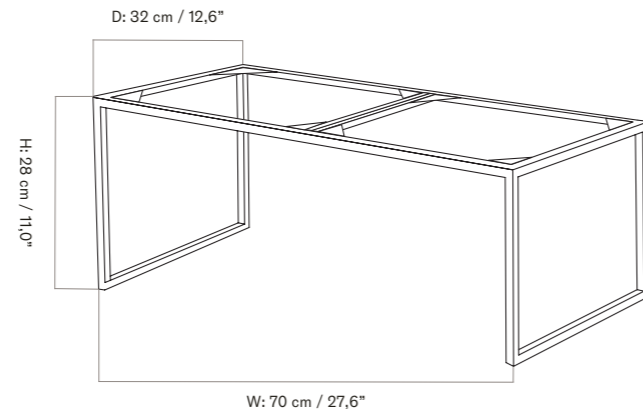
DOUBLE BASE FOR FRAME  
Designed by *Audo*

TECHNICAL DRAWING

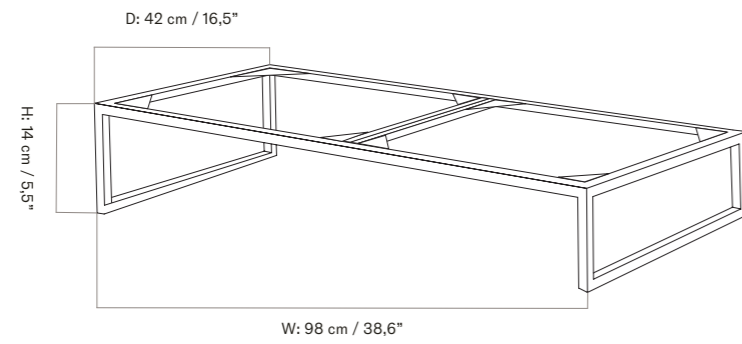
FOR FRAME 35 AND 70, H1V4



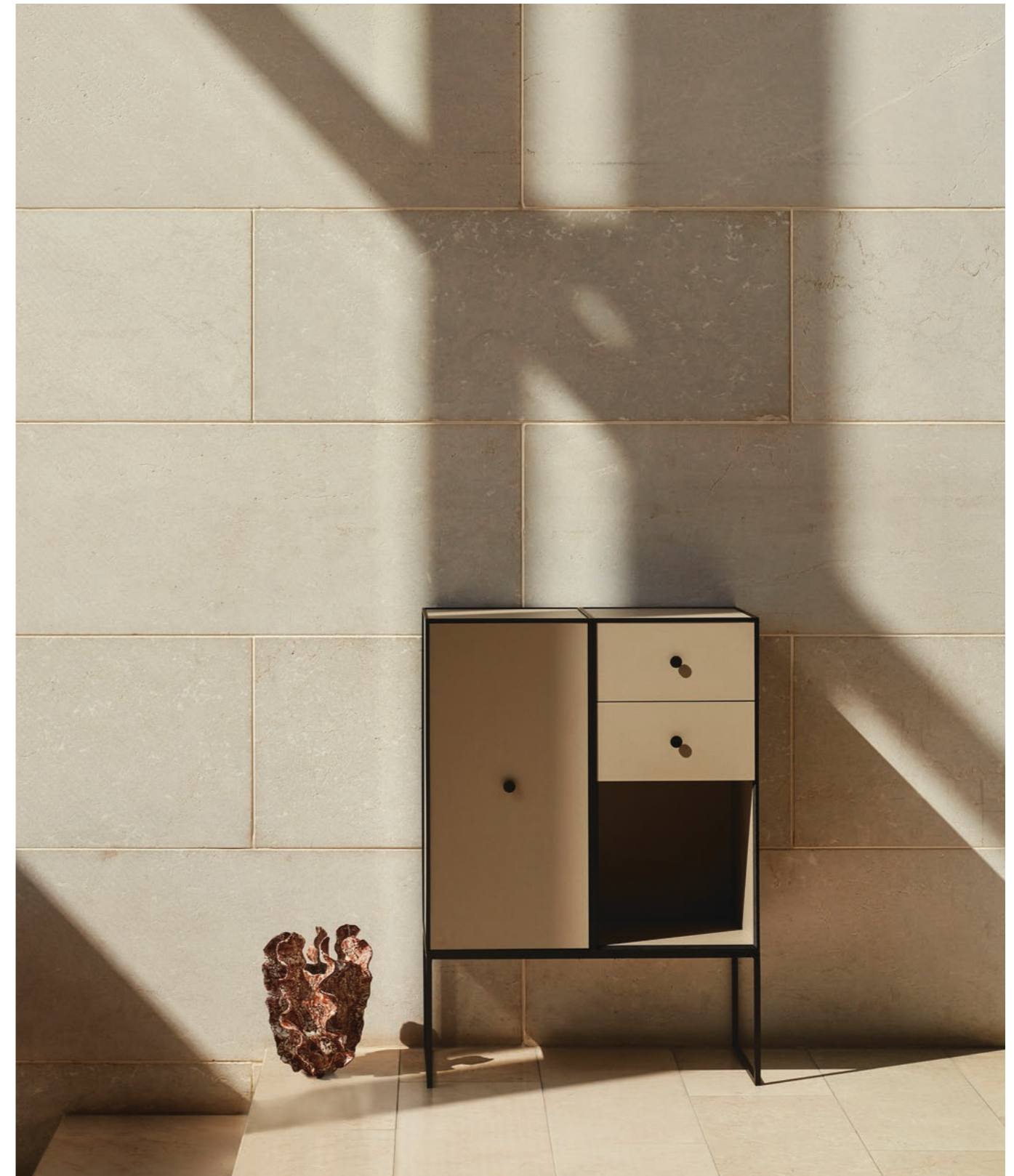
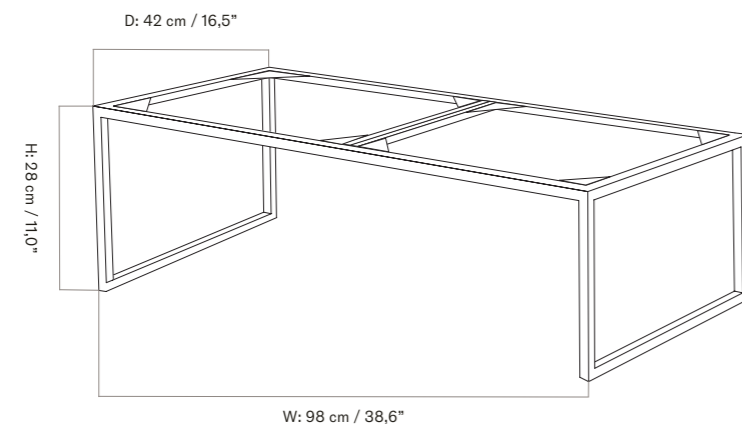
FOR FRAME 35 AND 70, H28



FOR FRAME 49, H14



FOR FRAME 49, H28



FRAME 70, material *sand*, designer *Audo*  
DOOR FOR FRAME 70, material *sand*, designer *Audo*  
FRAME 70 INCL. 2 DRAWERS, material *sand*, designer *Audo*  
DOUBLE BASE FOR FRAME 35 AND FRAME 70, size 28 cm, designer *Audo*

SUSPENSION BRACKETS FOR FRAME  
 Designed by *Mogens Lassen*

The Suspension brackets in 3 different lengths is perfect if you should hang more than one Frame to ensure an easy and both vertical hang up.

*Suspension brackets*



BLACK STEEL

TECHNICAL SPECIFICATIONS

PRODUCT TYPE  
 Storage system

COLLI  
 1

ENVIRONMENT  
 Indoor

DIMENSIONS

*S8*  
 H: 40 cm / 1,57"  
 W: 56,16 cm / 22,1"  
 D: 1,4 cm / 0,05"

*S12*  
 H: 40 cm / 1,57"  
 W: 84,24 cm / 33,1"  
 D: 1,4 cm / 0,05"

*S14*  
 H: 40 cm / 1,57"  
 W: 98,28 cm / 38,69"  
 D: 1,4 cm / 0,05"

PRODUCTION PROCESS  
 Welded, shot blasted steel frame with silver brazed corners to make the edges sharp and nice. Lastly the frame is painted with a black powder coated finish.

COLOURS  
 Black (RAL 9005)

MATERIALS  
 Steel

WEIGHT  
 S8: 0,35 kg / 0,77 lb  
 S12: 0,55 kg / 1,21 lb  
 S14: 0,575 kg / 1,27 lb

PACKAGING TYPE  
 Brown box

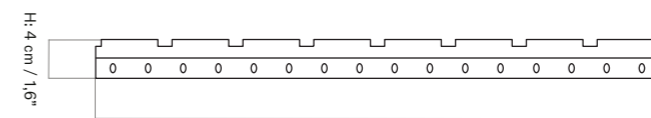
PACKAGING MEASUREMENTS  
 (H × W × D)

*S8*  
 10 cm × 11,5 cm × 63 cm / 3,9" × 4,5" × 24,8"

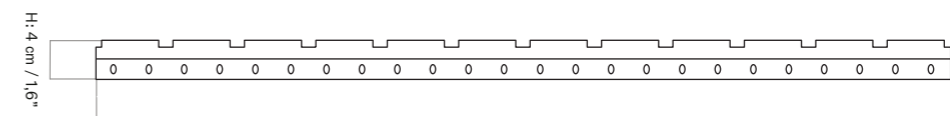
*S12*  
 11 cm × 11,5 cm × 112 cm / 4,3" × 4,5" × 44"

*S14*  
 11 cm × 11,5 cm × 112 cm / 4,3" × 4,5" × 44"

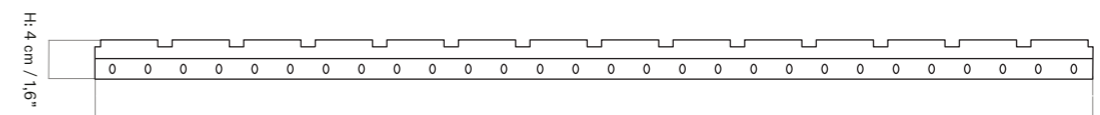
MATERIALS & MAINTENANCE  
 Please visit [audocph.com](http://audocph.com) for materials, care and maintenance instructions.



W: 56,16 cm / 22,1"



W: 84,24 cm / 33,2"



W: 98,28 cm / 38,7"

FRAME 49 TRIO  
Designed by *Audo*

Frame 49 Trio is a flexible storage solution consisting of three Frame modules in cubistic frames. The simple storage system is inspired by the Kubus candleholder by Mogens Lassen, based on strict mathematical formulas and designed with the greatest precision. Frame 49 Trio consists of three Frame modules in size 49: a module with a shelf, a module with a door and a module with three Drawers. The Drawers feature a soft-close system and hidden tracks. Frame Sideboard Trio works beautifully as a dresser in the living room, tv table or as a classic bookcase.

PRODUCT OPTIONS

*Material*



DARK GREY

LIGHT GREY

FJORD

SAND

WHITE

OAK

BLACK STAINED ASH

SMOKED OAK

*Frame*



BLACK ALUMINIUM



PRODUCT TYPE  
Storage system

COLLI  
1

ENVIRONMENT  
Indoor

DIMENSIONS  
H: 49 cm / 19,3"  
W: 147 cm / 57,9"  
D: 42 cm / 16,5"

PRODUCTION PROCESS

The frame is made from 6mm steel profiles to strengthen the construction of the frame. The profiles are mounted with zinc casted corners and afterward the frame is grinded to obtain a smooth finish before the frame is powder coated. The plates are made from a MDF core with a melamine or veneer surface. The drawer is made from plywood and covered with black foil. The bottom is made from black painted MDF. The tracks are made from steel and has a soft-close system. The handles are made from aluminum with powder coated black finish.

TECHNICAL SPECIFICATIONS

COLOURS

*Material*  
Dark Grey  
Light Grey  
Fjord  
Sand  
White  
Oak  
Black Stained Ash  
Smoked Oak

*Frame*  
Black (RAL 9005)

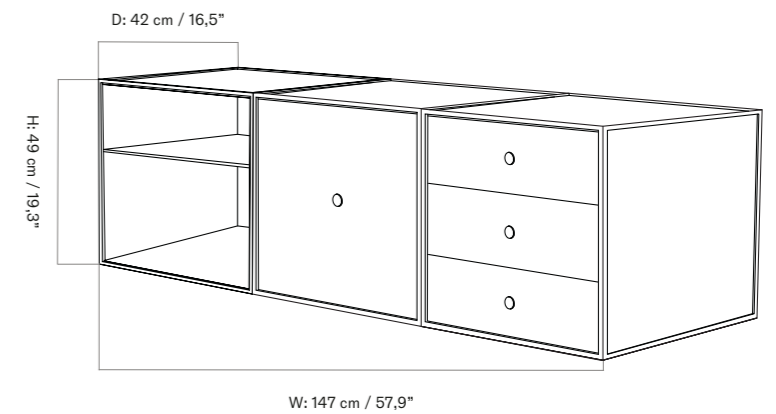
MATERIALS  
Aluminium, oak, veneer, MDF

WEIGHT  
9,957 kg / 21,95 lb

PACKAGING TYPE  
Brown box

PACKAGING MEASUREMENTS  
(H x W x D)  
81 cm x 44 cm x 44 cm /  
31,9" x 17,3" x 17,3"

MATERIALS & MAINTENANCE  
Please visit [audocph.com](http://audocph.com) for materials, care and maintenance instructions.





FRAME 49 TRIO SIDEBOARD  
Designed by *Audo*

Frame 49 Sideboard Trio is a flexible storage solution consisting of a square module in a cubistic frame and with a cubistic black metal base. The simple storage system is inspired by the Kubus candleholder by Mogens Lassen, based on strict mathematical formulas and designed with the greatest precision. Frame Sideboard Trio consists of three Frame modules in size 49 with a cubistic base: a module with a shelf, a module with a door and a module with three Drawers. The Drawers feature a soft-close system and hidden tracks. Frame Sideboard Trio works beautifully as a dresser in the living room or as a classic bookcase. The Frame module can also be separated from the cubistic Base for Frame and instead hung on the wall if your home needs a new touch, or to cater for changing storage needs.

PRODUCT OPTIONS

*Material*



DARK GREY

LIGHT GREY

FJORD

SAND

WHITE

OAK

BLACK STAINED ASH

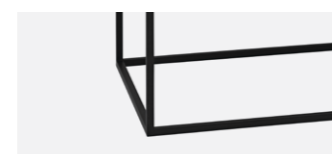
SMOKED OAK

*Frame*



BLACK ALUMINIUM

*Base*



BLACK STEEL



TECHNICAL SPECIFICATIONS

PRODUCT TYPE  
Storage system

COLLI  
1

ENVIRONMENT  
Indoor

DIMENSIONS  
H: 72 cm / 28,3"  
W: 147 cm / 57,9"  
D: 42 cm / 16,5"

PRODUCTION PROCESS

The frame is made from 6mm steel profiles to strengthen the construction of the frame. The profiles are mounted with zinc casted corners and afterward the frame is grinded to obtain a smooth finish before the frame is powder coated. The plates are made from a MDF core with a melamine or veneer surface. The base is a welded, shot blasted steel frame with silver brazed corners to make the edges sharp and nice. Lastly the frame is painted with a black powder coated finish. The drawer is made from plywood and covered with black foil. The bottom is made from black painted MDF. The tracks are made from steel and has a soft-close system. The handles are made from aluminum with powder coated black finish.

COLOURS

*Material*  
Dark Grey  
Light Grey  
Fjord  
Sand  
White  
Oak  
Black Stained Ash  
Smoked Oak

*Frame & Base*  
Black (RAL 9005)

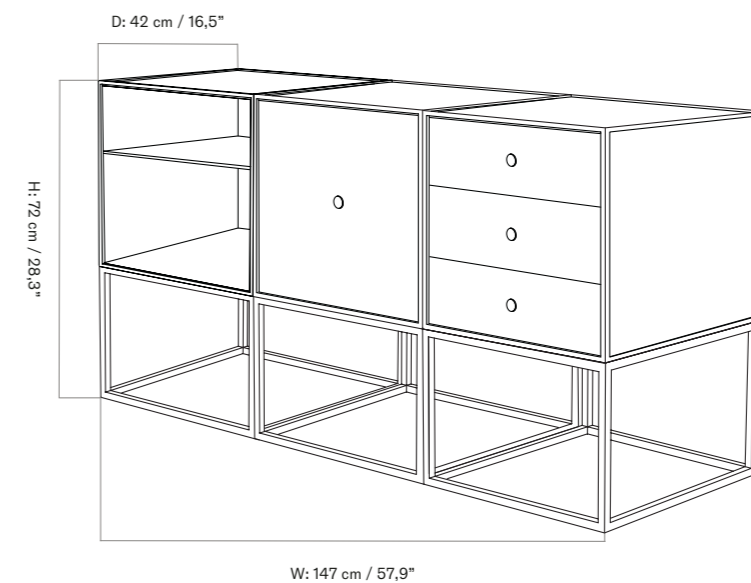
MATERIALS  
Aluminium, MDF with melamine or ash/  
oak veneer

WEIGHT  
68,836 kg / 151,76 lb

PACKAGING TYPE  
Brown box

PACKAGING MEASUREMENTS  
(H × W × D)  
115 cm × 60 cm × 80 cm /  
45,3" × 23,6" × 31,5"

MATERIALS & MAINTENANCE  
Please visit [audocph.com](http://audocph.com) for materials, care and maintenance instructions.



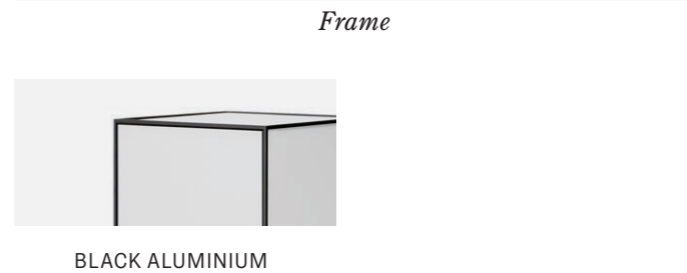
FRAME SHOE CABINET  
 Designed by *Mogens Lassen*

Frame Shoe Cabinet is a new addition to existing Frame modules, adding a new function that makes it an excellent choice for the hallway. With its characteristic frame, Frame Shoe Cabinet is based on the same design as the existing Frame modules, but with new dimensions that makes it even more useful for storing your shoes. The inside is made in metal to ensure that dirt and wet shoes do not damage the cabinet. Placed on the wall, Frame Shoe Cabinet takes up no floor space, which makes it an ideal storage solution for small hallways. Frame Shoe Cabinet is inspired by the Kubus candleholder by Mogens Lassen, based on strict mathematical formulas and designed with the greatest precision.



PRODUCT OPTIONS

*Material*



PRODUCT TYPE  
 Storage system

COLLI  
 1

ENVIRONMENT  
 Indoor

DIMENSIONS  
 H: 42 cm / 16,5  
 W: 70 cm / 27,6"  
 D: 21 cm / 8,3"

PRODUCTION PROCESS  
 The frame is made from 6mm steel profiles to strengthen the construction of the frame. The profiles are mounted with zinc casted corners and afterward the frame is grinded to obtain a smooth finish before the frame is powder coated. The plates are made from a MDF core with a melamine or veneer surface. Lastly the shoe insert is made from steel with a powder coated finish. The mounting is made from steel and are plated with black browned. The handle is made from aluminum with a powder coated black finish.

TECHNICAL SPECIFICATIONS

COLOURS

*Material*  
 Dark Grey  
 Light Grey  
 Fjord  
 Sand  
 White  
 Black Stained Ash

*Frame*  
 Black (RAL 9005)

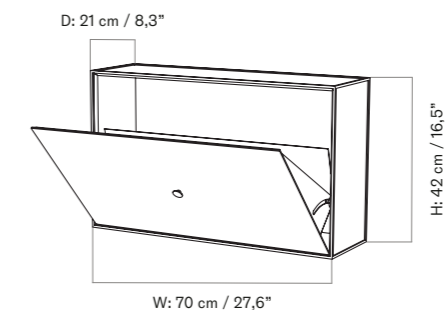
MATERIALS  
 Aluminium, melamine, MDF with melamine or ash/oak veneer.

WEIGHT  
 17,728 kg / 39,08 lb

PACKAGING TYPE  
 Brown box

PACKAGING MEASUREMENTS  
 (H x W x D)  
 81 cm x 31 cm x 50 cm /  
 31,9" x 12,2" x 19,7"

MATERIALS & MAINTENANCE  
 Please visit [audocph.com](http://audocph.com) for materials, care and maintenance instructions.





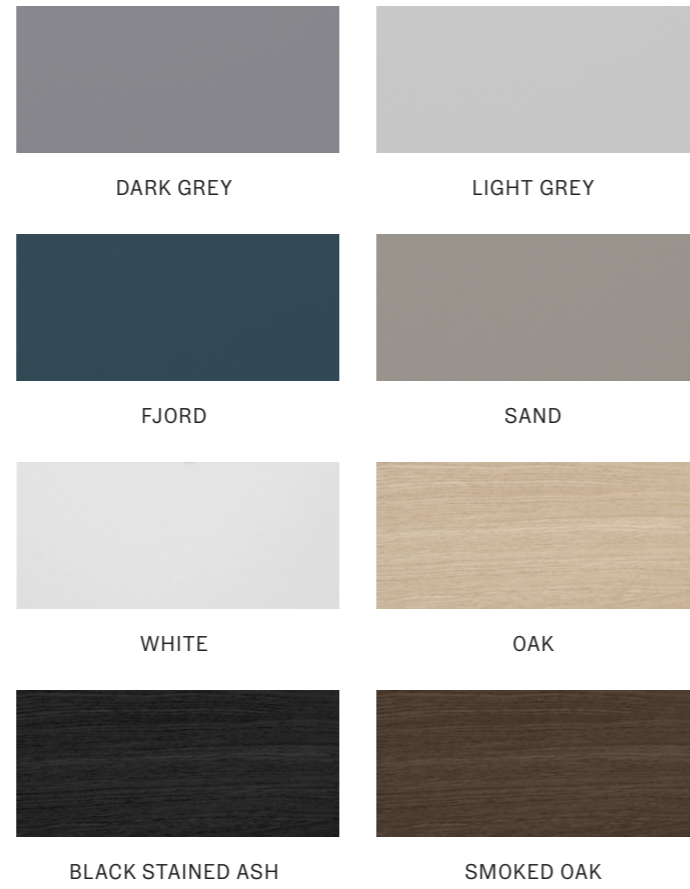
FRAME SQUARE STANDARD  
Designed by *Audo*

Frame Square Standard is a flexible storage solution consisting of a square module in a cubistic frame. The simple storage system is inspired by the Kubus candleholder by Mogens Lassen, based on strict mathematical formulas and designed with the greatest precision. The Frame collection is available in many variants for use in countless contexts. Combine the Frame modules to create a classic bookcase, a room divider or something else entirely. The possible combinations are endless. The Frame modules are available with or without doors, shelves and Drawers, making sure that you can design the perfect storage solution to match your needs for organisation and storage. This variant consists of four Frame 35 modules, including two open modules and two modules with doors.



PRODUCT OPTIONS

*Material*



*Frame*



PRODUCT TYPE  
Storage system

COLLI  
1

ENVIRONMENT  
Indoor

DIMENSIONS  
H: 70 cm / 27,6"  
W: 70 cm / 27,6"  
D: 35 cm / 13,8"

PRODUCTION PROCESS  
The frame is made from 6mm aluminum profiles that are mounted with zinc casted corners. Afterwards the frame is grinded to obtain a smooth finish before the frame is powder coated. The plates are made from a MDF core with a melamine or veneer surface. The handles are made from aluminum with powder coated black finish.

TECHNICAL SPECIFICATIONS

COLOURS

*Material*  
Dark Grey  
Light Grey  
Fjord  
Sand  
White  
Oak  
Black Stained Ash  
Smoked Oak

*Frame*  
Black (RAL 9005)

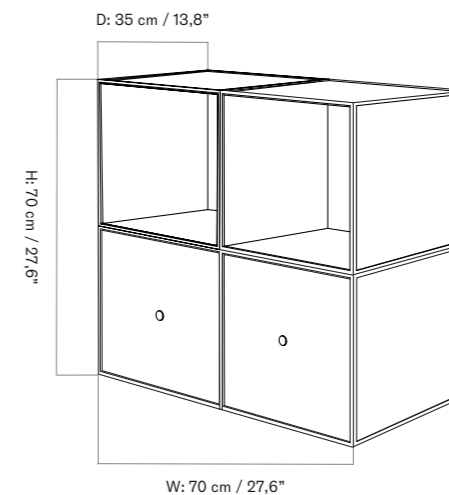
MATERIALS  
Aluminium, MDF with melamine or ash/  
oak veneer

WEIGHT  
21,664 kg / 47,76 lb

PACKAGING TYPE  
Brown box

PACKAGING MEASUREMENTS  
(H × W × D)  
99 cm × 60 cm × 85 cm / 39" × 23.6" × 33.5"

MATERIALS & MAINTENANCE  
Please visit [audocph.com](http://audocph.com) for materials, care and maintenance instructions.



FRAME BOX 10  
 Designed by *Søren Lassen*

Frame Box is a square box in a cubistic shape. The simple boxes are inspired by the Kubus candleholder by Mogens Lassen, that are based on strict mathematical formulas and designed with the greatest precision. The Frame boxes are available in three sizes: 10, 14 and 20, which can be combined to exactly match your storage needs. The cubistic boxes can be easily stacked on top of each other, as the handle contains a spring function, which is easily pressed down when a box is stacked on top of another box. The Frame boxes provide a flexible storage solution – perfect for storing office accessories, jewellery, makeup and any knickknacks that need organising and storing. The small and simple Frame boxes are manufactured and assembled by hand in Denmark. It is a collection that truly unites functionality, quality and aesthetics.



WHITE  
BL40105



DARK GREY  
BL40101



LIGHT GREY  
BL40102



OAK  
BL40100



BLACK STAINED ASH  
BL40103



SMOKED OAK  
BL40106

PRODUCT TYPE  
Storage system

COLLI  
4

ENVIRONMENT  
Indoor

DIMENSIONS  
H: 10 cm / 3,9"  
W: 10 cm / 3,9"  
D: 10 cm / 3,9"

TECHNICAL SPECIFICATIONS

PRODUCTION PROCESS  
The frame is casted with zinc and shot blasted before powder coated. The plates are made from a MDF core with a melamine or veneer surface. The knob is made from aluminum with a powder coated black finish and mounted with a spring, circlip and a plastic bush with makes the boxes easy to stack.

COLOURS  
White  
Dark Grey  
Light Grey  
Oak  
Black Stained Ash  
Smoked Oak

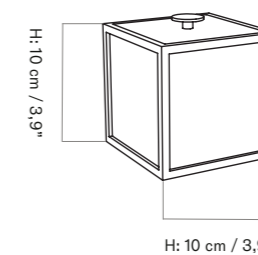
MATERIALS  
Aluminium, MDF with melamine or ash/  
oak veneer.

WEIGHT  
0,73 kg / 1,61 lb

PACKAGING TYPE  
Gift box

PACKAGING MEASUREMENTS  
(H × W × D)  
11 cm × 11 cm × 11 cm / 4,3" × 4,3" × 4,3"

MATERIALS & MAINTENANCE  
Please visit [audocph.com](http://audocph.com) for materials, care and maintenance instructions.



FRAME BOX 14  
Designed by *Søren Lassen*

Frame Box is a square box in a cubistic shape. The simple boxes are inspired by the Kubus candleholder by Mogens Lassen, that are based on strict mathematical formulas and designed with the greatest precision. The Frame boxes are available in three sizes: 10, 14 and 20, which can be combined to exactly match your storage needs. The cubistic boxes can be easily stacked on top of each other, as the handle contains a spring function, which is easily pressed down when a box is stacked on top of another box. The Frame boxes provide a flexible storage solution – perfect for storing office accessories, jewellery, makeup and any knickknacks that need organising and storing. The small and simple Frame boxes are manufactured and assembled by hand in Denmark. It is a collection that truly unites functionality, quality and aesthetics.



WHITE  
BL40125



DARK GREY  
BL40121



LIGHT GREY  
BL40122



OAK  
BL40120



BLACK STAINED ASH  
BL40123



SMOKED OAK  
BL40126

PRODUCT TYPE  
Storage system

COLLI  
2

ENVIRONMENT  
Indoor

DIMENSIONS  
H: 7 cm / 2,8"  
W: 14 cm / 5,5"  
D: 14 cm / 5,5"

TECHNICAL SPECIFICATIONS

PRODUCTION PROCESS  
The frame is casted with zinc and shot blasted before powder coated. The plates are made from a MDF core with a melamine or veneer surface. The knob is made from aluminum with a powder coated black finish and mounted with a spring, circlip and a plastic bush with makes the boxes easy to stack.

COLOURS  
White  
Dark Grey  
Light Grey  
Oak  
Black Stained Ash  
Smoked Oak

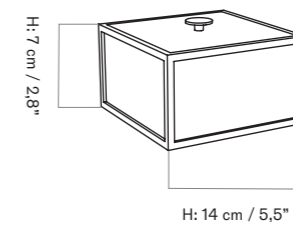
MATERIALS  
Aluminium, MDF with melamine or ash/  
oak veneer.

WEIGHT  
0,934 / 2,06 lb

PACKAGING TYPE  
Gift box

PACKAGING MEASUREMENTS  
(H × W × D)  
9 cm × 15 cm × 15 cm / 3,5" × 5,9" × 5,9"

MATERIALS & MAINTENANCE  
Please visit [audocph.com](http://audocph.com) for materials, care and maintenance instructions.







FRAME BOX 20  
Designed by *Søren Lassen*

Frame Box is a square box in a cubistic shape. The simple boxes are inspired by the Kubus candleholder by Mogens Lassen, that are based on strict mathematical formulas and designed with the greatest precision. The Frame boxes are available in three sizes: 10, 14 and 20, which can be combined to exactly match your storage needs. The cubistic boxes can be easily stacked on top of each other, as the handle contains a spring function, which is easily pressed down when a box is stacked on top of another box. The Frame boxes provide a flexible storage solution – perfect for storing office accessories, jewellery, makeup and any knickknacks that need organising and storing. The small and simple Frame boxes are manufactured and assembled by hand in Denmark. It is a collection that truly unites functionality, quality and aesthetics.



WHITE  
BL40135



DARK GREY  
BL40131



LIGHT GREY  
BL40132



OAK  
BL40130



BLACK STAINED ASH  
BL40133



SMOKED OAK  
BL40136

PRODUCT TYPE  
Storage System

COLLI  
2

ENVIRONMENT  
Indoor

DIMENSIONS  
H: 10 cm / 3,9"  
W: 20 cm / 7,9"  
D: 20 cm / 7,9"

TECHNICAL SPECIFICATIONS

PRODUCTION PROCESS  
The frame is casted with zinc and shot blasted before powder coated. The plates are made from a MDF core with a melamine or veneer surface. The knob is made from aluminum with a powder coated black finish and mounted with a spring, circlip and a plastic bush with makes the boxes easy to stack.

COLOURS  
White  
Dark Grey  
Oak  
Black Stained Ash  
Smoked Oak

MATERIALS  
Aluminium, MDF with melamine or ash/  
oak veneer.

WEIGHT  
1,621 / 3,57 lb

PACKAGING TYPE  
Gift box

PACKAGING MEASUREMENTS  
(H × W × D)  
11 cm × 21 cm × 21 cm / 4,3" × 8,3" × 8,3"

MATERIALS & MAINTENANCE  
Please visit [audocph.com](http://audocph.com) for materials, care and maintenance instructions.

